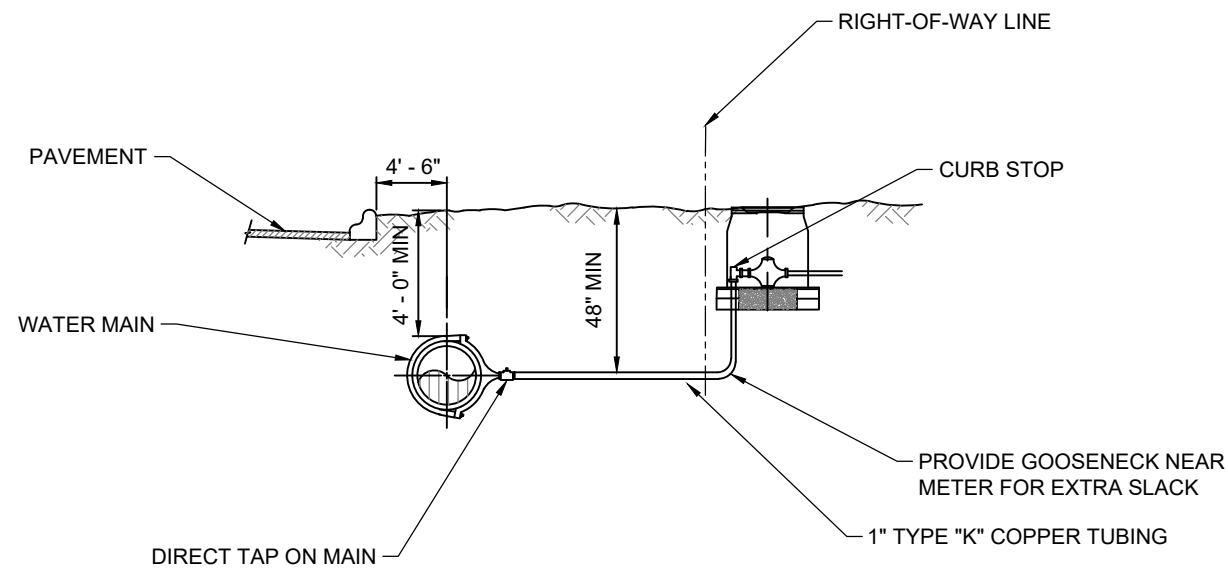


TYPICAL LONG SIDE SERVICE  
NTS



TYPICAL SHORT SIDE SERVICE  
NTS

NOTES:

1. IN THE EVENT CONDUIT IS NOT PRESENT ON LONG SIDE LOT, BORING SHALL BE PERMITTED. WHEN CONDUIT DOES EXIST, 1-IN. PIPE SHALL BE INSERTED THROUGH 6-IN. PVC CASING TO COMPLETE THE INSTALLATION FROM THE MAIN TO THE METER. 2-IN. HDPE CASING TO BE USED WHEN BORING.
2. APPROVAL MUST BE OBTAINED FROM THE CITY IN WHICH THE PROJECT IS LOCATED PRIOR TO ROAD CUT. THE PUBLIC WORKS WATER SERVICES DIVISION DOES NOT HAVE THE AUTHORITY TO APPROVE ROAD CUTS.
3. 48" COVER (MIN.) FROM SURFACE TO TOP OF SERVICE PIPE APPLIES TO COUNTY MAINTAINED ROADS. FOR STATE ROADS SAID MINIMUM CLEARANCE SHALL BE 54".
4. ALL CUTS IN PAVEMENT SHALL BE REPAIRED IN ACCORDANCE WITH EITHER GA..D.O.T OR FULTON CO. STANDARDS. CONTRACTOR SHALL BE RESPONSABLE FOR PROPER DITCH COMPACTION, CUT BACK OF DITCH SIDES AND PAVING OF THE REQUIRED CONCRETE SUB-BASE AND PLATING THE DITCH TO ALLOW TRAFFIC FLOW WHILE CONCRETE IS SETTING UP. STEEL TRAFFIC PLATES WILL COVER POURED CONCRETE FOR A MINIMUM OF 24 HOURS.
5. METERS ARE TO BE SET DIRECTLY OPPOSITE AND AT RIGHT ANGLES TO TAP ON MAIN. THE METER SHALL NOT BE OFFSET Laterally FROM TAP ON WATER MAIN.

FULTON COUNTY STANDARD DETAIL 806

3/4" TO 1" METER SETTING  
SHORT AND LONG SIDES

DATE	REVISIONS	DATE	REVISIONS
M/Y	XXX	M/Y	XXX

DGS/DRN/CHKD:    XXX     
 APPROVED:    XXX     
 DATE:    XX-X-XX   



FULTON COUNTY PUBLIC WORKS  
 141 PRYOR ST. ATLANTA, GA. 30303  
 404-612-7400 FAX: 404-224-0498

DRAWING NO.

806

95% SUBMITTAL