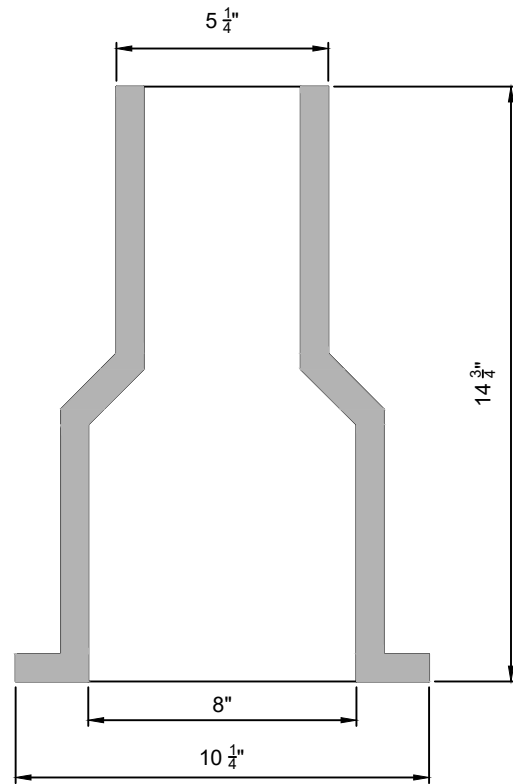
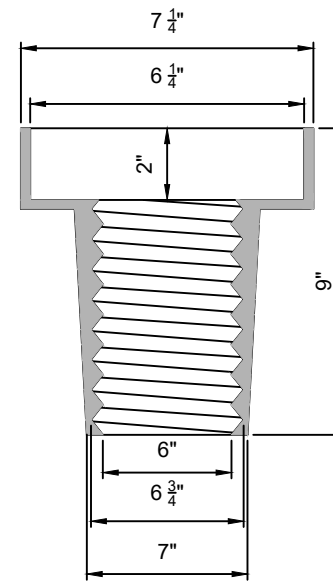


COVER



BOTTOM SECTION



TOP SECTION

95% SUBMITTAL

FULTON COUNTY STANDARD DETAIL 608
 RECLAIMED WATER VALVE COVER MARKINGS/
 VALVE BOX

DATE	REVISIONS	DATE	REVISIONS
M/Y	XXX	M/Y	XXX

DGS/DRN/CHKD: XXX
 APPROVED: XXX
 DATE: XX-X-XX



FULTON COUNTY PUBLIC WORKS
 141 PRYOR ST. ATLANTA, GA. 30303
 404-612-7400 FAX: 404-224-0498

DRAWING NO.
608