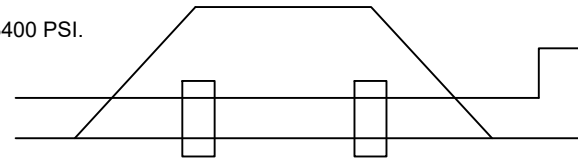
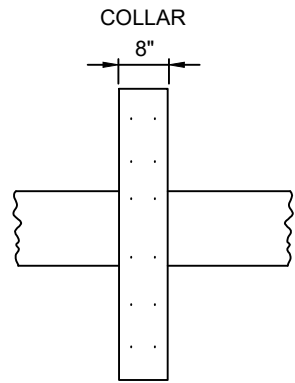


ANTI - SEEP COLLARS

1. MUST BE FORMED
2. CLASS A CONCRETE, 3400 PSI.
3. MUST BE INSPECTED PRIOR TO POURING CONCRETE.

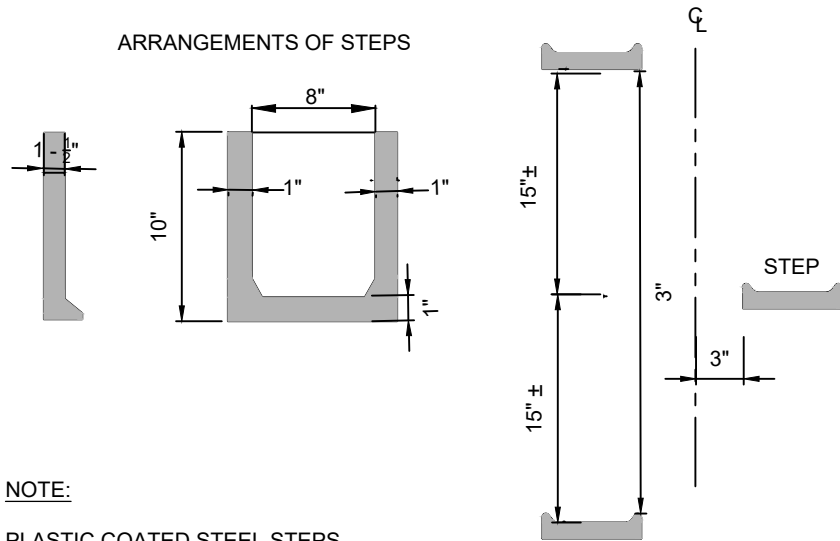


2 COLLARS
LOCATION - ONE AT TOP OF FRONT SLOPE & ONE AT TOP OF BACK SLOPE



= OUTSIDE OD + 2'
2 MATS OF #5 ON 8" CENTER

ARRANGEMENTS OF STEPS

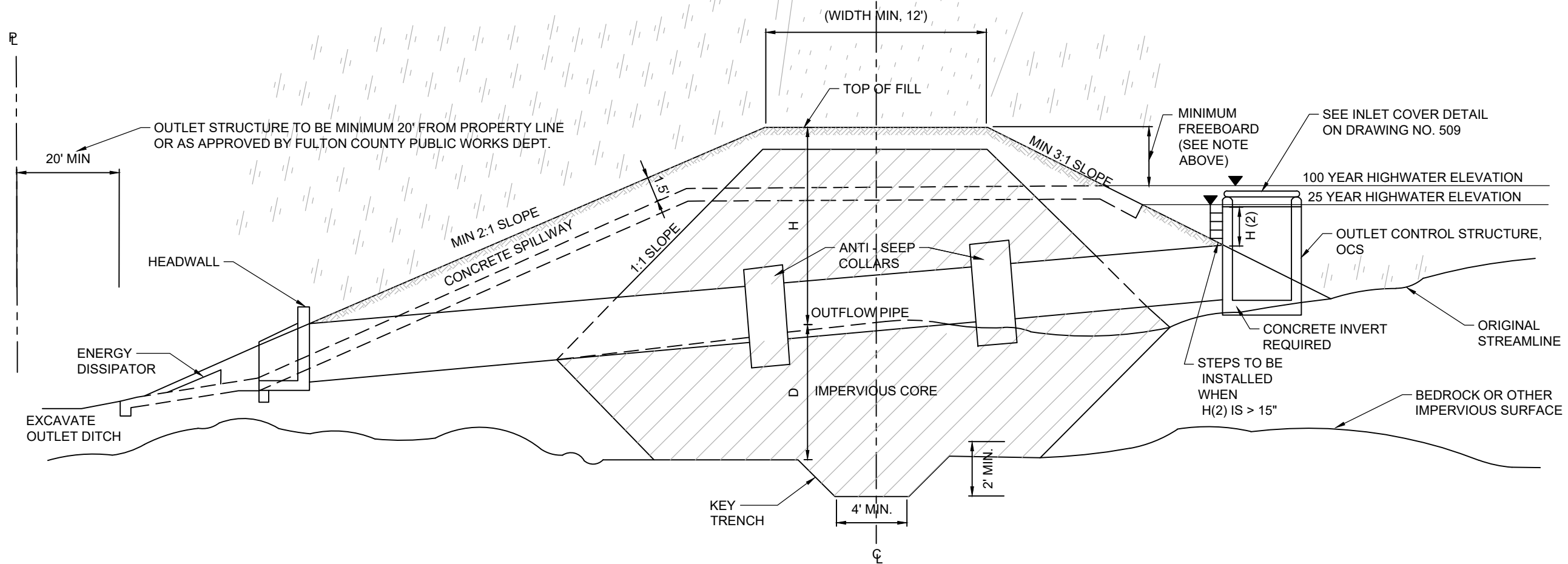


NOTE:

PLASTIC COATED STEEL STEPS ARE REQUIRED ON THE OUTSIDE OF THE CONTROL STRUCTURE AS SHOWN.

NOTES:

1. IT IS PREFERABLE TO HAVE A FREEBOARD OF 2 FEET MINIMUM. FOR SMALL DETENTION FACILITIES, AN ABSOLUTE MINIMUM FREEBOARD OF 1 FOOT SHALL BE PROVIDED. REFERENCE PAGE 172 OF MANUAL ON DRAINAGE DESIGN FOR FULTON COUNTY, JANUARY 1983. A SMALL DETENTION FACILITY IS 3 FEET OR LESS TO THE 25 YEAR ELEVATION.
2. SLOPES SHOWN ARE STEEPEST ALLOWABLE. CORE TO BE CLAY OR OTHER IMPERVIOUS MATERIAL. D, DEPTH OF CORE, MUST BE TO IMPERVIOUS MATERIAL OR A MINIMUM DEPTH EQUAL TO H. CORE TO BE PLACED IN 6" LAYERS & COMPACTED TO 95% STANDARD PROCTOR. WIDTH = (H/5) + 12.
3. EMERGENCY SPILLWAYS ARE TO BE CUT IN NATURAL GROUND WHERE APPLICABLE.
4. EMERGENCY SPILLWAYS ARE TO BE CUT IN NATURAL GROUND WHERE APPLICABLE.
5. ALTERNATE DESIGNS MAY BE APPROVED OR WILL BE CONSIDERED BY FULTON COUNTY PUBLIC WORKS.
6. PROVIDE CONCRETE ONLY FOR OUTFLOW PIPE AND OUTLET STRUCTURE MATERIAL



FULTON COUNTY STANDARD DETAIL 522
EARTH FILL DAM FOR DETENTION PONDS

DATE	REVISIONS	DATE	REVISIONS
M/Y	XXX	M/Y	XXX

DGS/DRN/CHKD: XXX
APPROVED: XXX
DATE: XX-X-XX



FULTON COUNTY PUBLIC WORKS
141 PRYOR ST. ATLANTA, GA. 30303
404-612-7400 FAX: 404-224-0498

DRAWING NO.

522