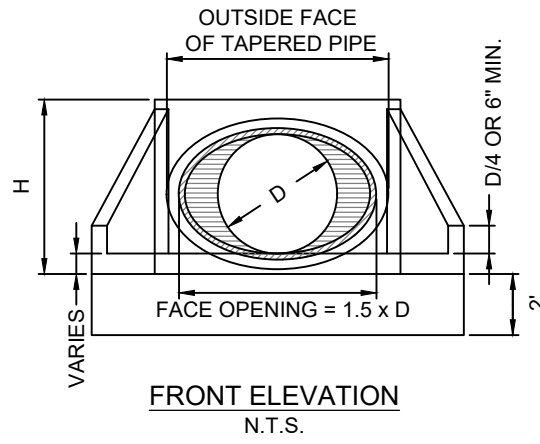
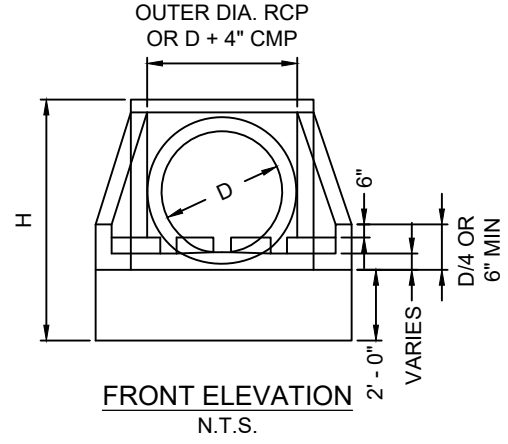


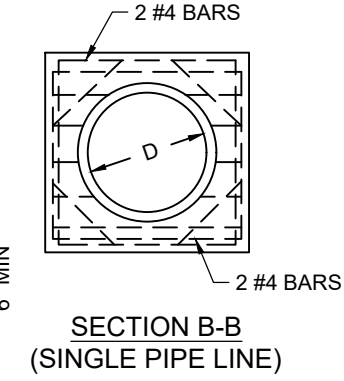
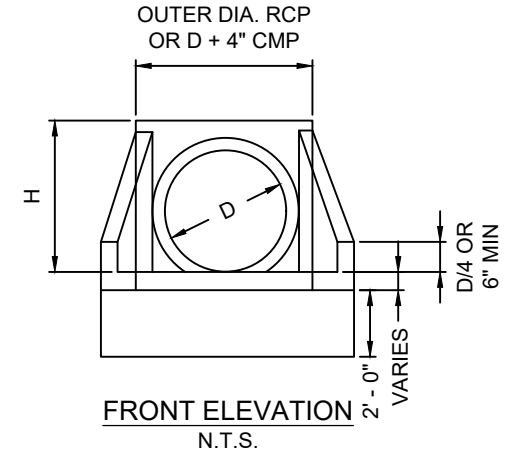
INLET HEADWALL WITH TAPERED PIPE



OUTLET HEADWALL



INLET HEADWALL



NOTES:

- ALTERNATE DESIGN FOR PIPES LARGER THAN 54" USE G.D.O.T STANDARD #1125.
- RUBBLE MASONRY CONSTRUCTION NOT ALLOWED ON PIPES OVER 54".
- AN ALTERNATE DESIGN FOR THE ENERGY DISSIPATOR WOULD BE ACCEPTED ONCE APPROVED BY FULTON COUNTY. SEE STANDARD #516.
- CONCRETE TAPERED PIPE: STRUCTURAL REQUIREMENTS WILL BE ACCORDING TO ASTM C307 FOR CLASS HE-1 HORIZONTAL ELLIPTICAL PIPE.
- CORRUGATED METAL PIPE (CMP): MATERIAL REQUIRED TO MEET SEC. 844 (STEEL PIPE) OR SEC. 840 (ALUMINUM PIPE). CMP WILL CONFORM TO THE SAME LINES AND DIMENSIONS SHOWN, DETAILS ARE SHOWN FOR CONCRETE.
- FOR DETAILS,
D = INSIDE DIAMETER OF PIPE
H = D + PIPE WALL THICKNESS + 8" (FOR RCP)
H = D + 10" MIN (FOR CMP)

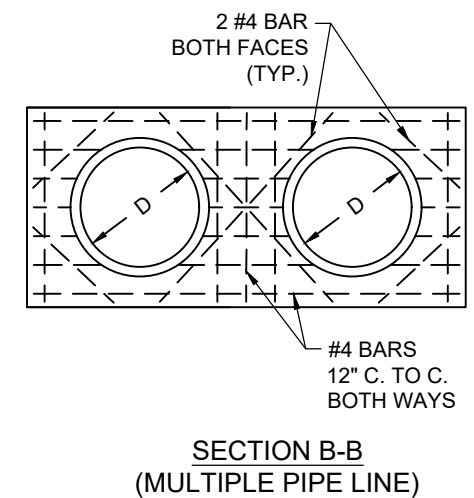
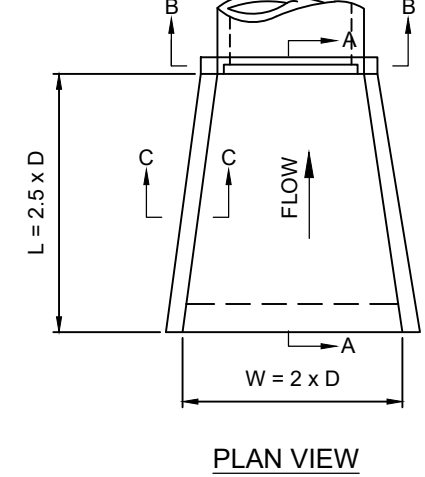
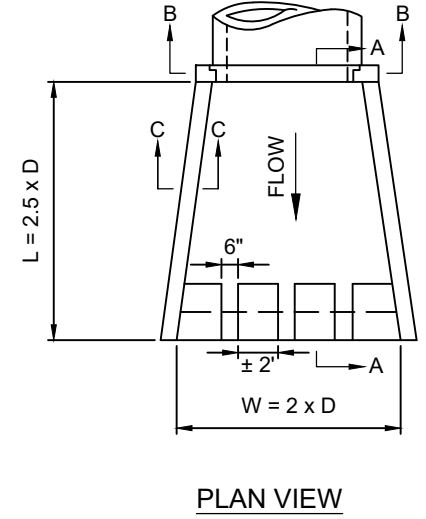
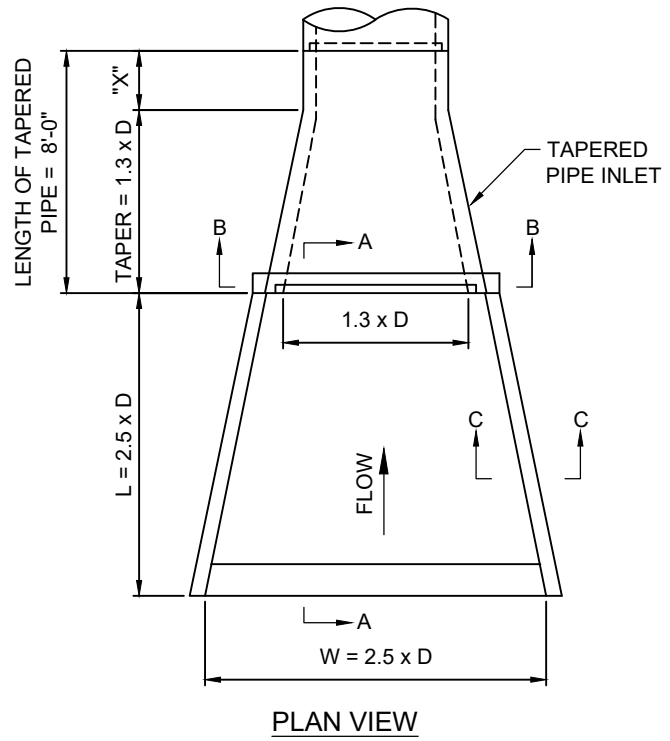
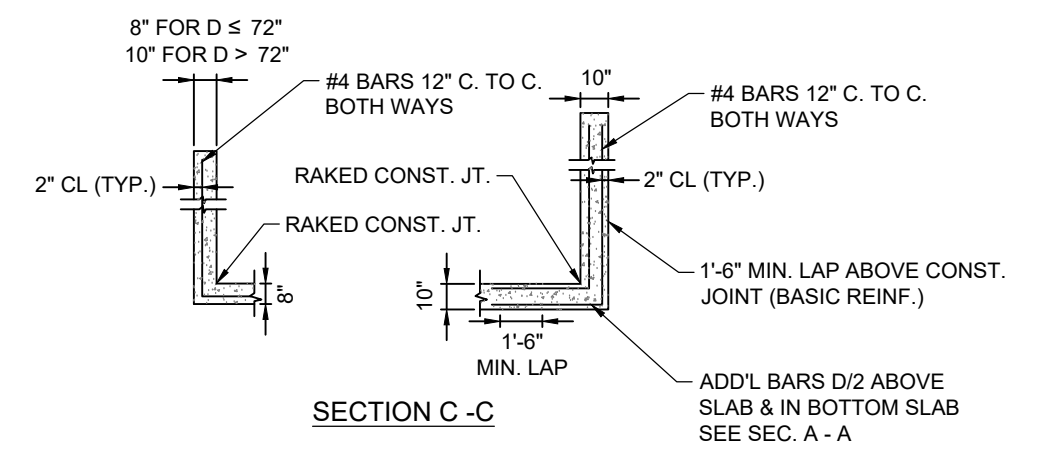
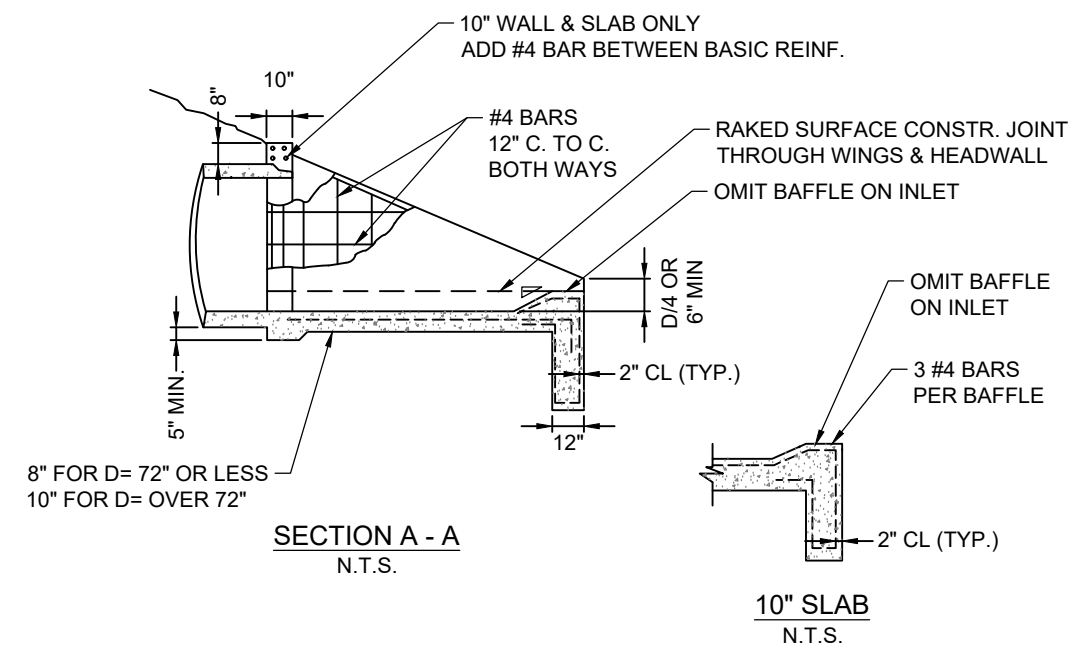
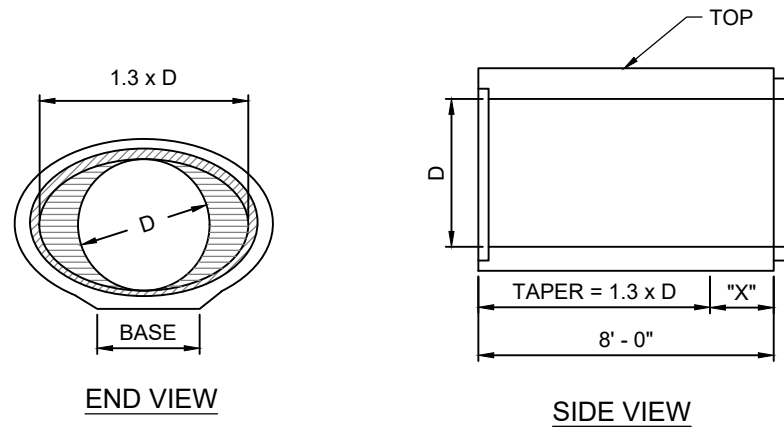


TABLE 515-1
TAPERED PIPE DIMENSIONS

D	1.3 x D	"X"	MIN. THICKNESS (IN.)	
			CORRUGATED STEEL	CORRUGATED ALUMINUM
			2 2/3" x 1/2" CORR.	3" x 1" CORR.
24"	2'-8"	5'-4"	0.064	0.060
30"	3'-4"	4'-8"	0.064	0.073
36"	4'-0"	4'-0"	0.109	0.133
42"	4'-8"	3'-4"	0.109	0.133
48"	5'-4"	2'-8"	0.138	0.164
54"	6'-0"	2'-0"	0.168	---
60"	6'-8"	1'-4"	---	---



FULTON COUNTY STANDARD DETAIL 515
INLET & OUTLET HEADWALLS

DATE	REVISIONS	DATE	REVISIONS
M/Y	XXX	M/Y	XXX

DGS/DRN/CHKD: XXX
APPROVED: XXX
DATE: XX-X-XX



FULTON COUNTY PUBLIC WORKS
141 PRYOR ST. ATLANTA, GA. 30303
404-612-7400 FAX: 404-224-0498

DRAWING NO.
515

95% SUBMITTAL