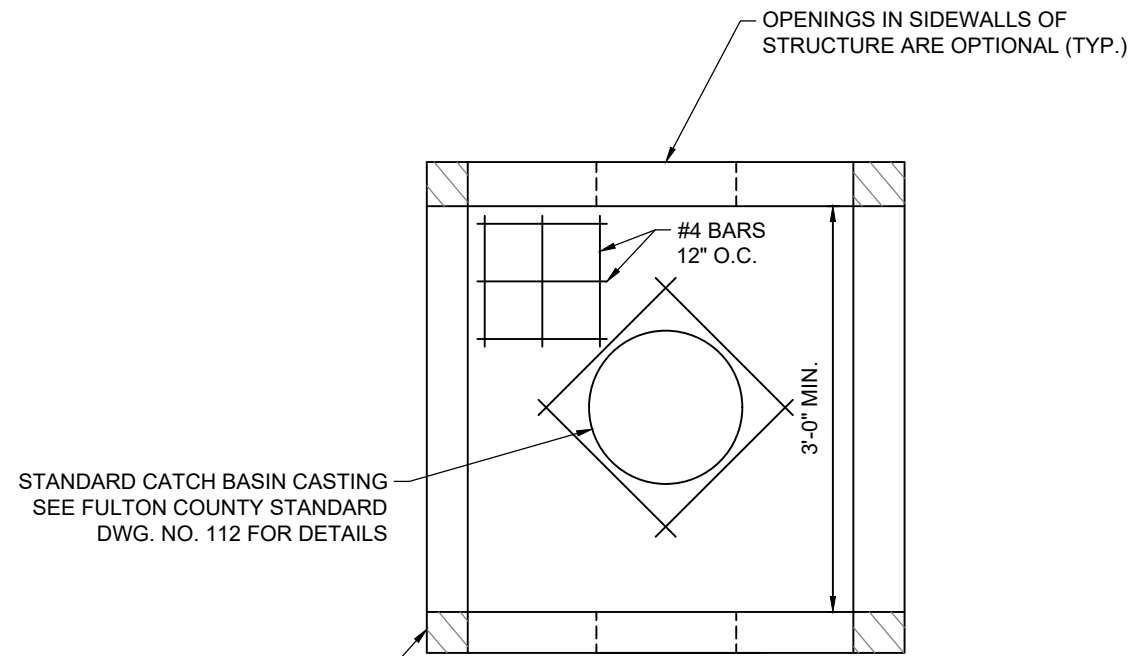
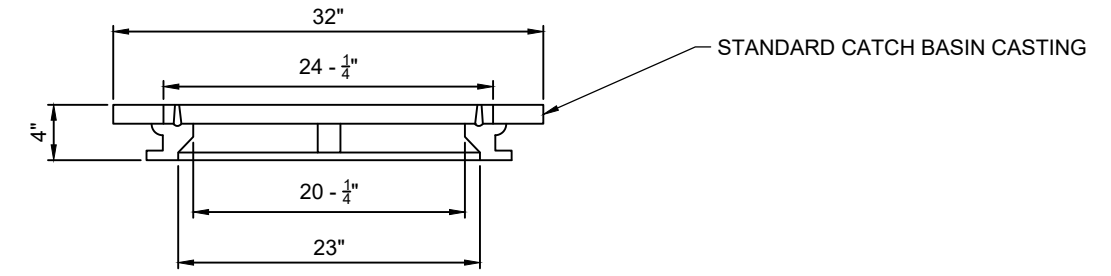


NOTES:

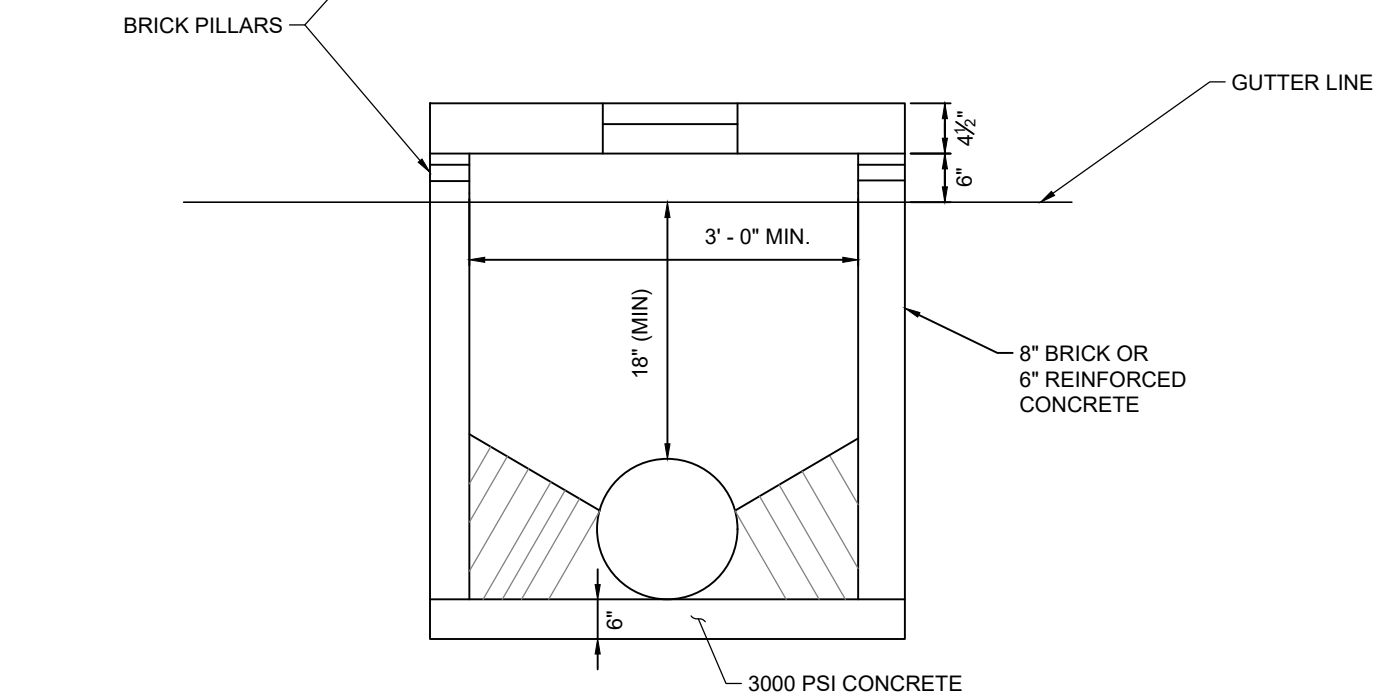
1. FOR DETAILS ON ROUND TO SQUARE ADAPTER, SEE FULTON COUNTY STANDARD DWG. NO. 507.
2. BRICK OR MASONRY INVERT REQUIRED (ROWLOCK), OR CONCRETE.



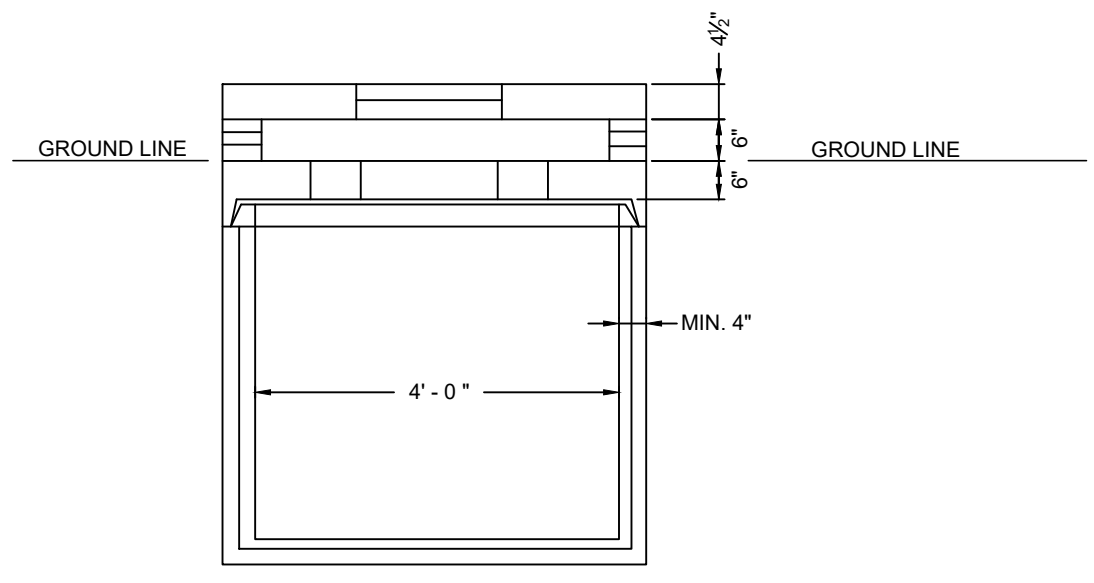
TOP VIEW



STANDARD CATCH BASIN CASTING



FRONT VIEW



ALT. FRONT VIEW FOR ROUND PRECAST BOX

95% SUBMITTAL

FULTON COUNTY STANDARD DETAIL 512
DROP INLETS (WEIR TYPE)

DATE	REVISIONS	DATE	REVISIONS
M/Y	XXX	M/Y	XXX

DGS/DRN/CHKD: XXX
APPROVED: XXX
DATE: XX-X-XX



FULTON COUNTY PUBLIC WORKS
141 PRYOR ST. ATLANTA, GA. 30303
404-612-7400 FAX: 404-224-0498

DRAWING NO.
512