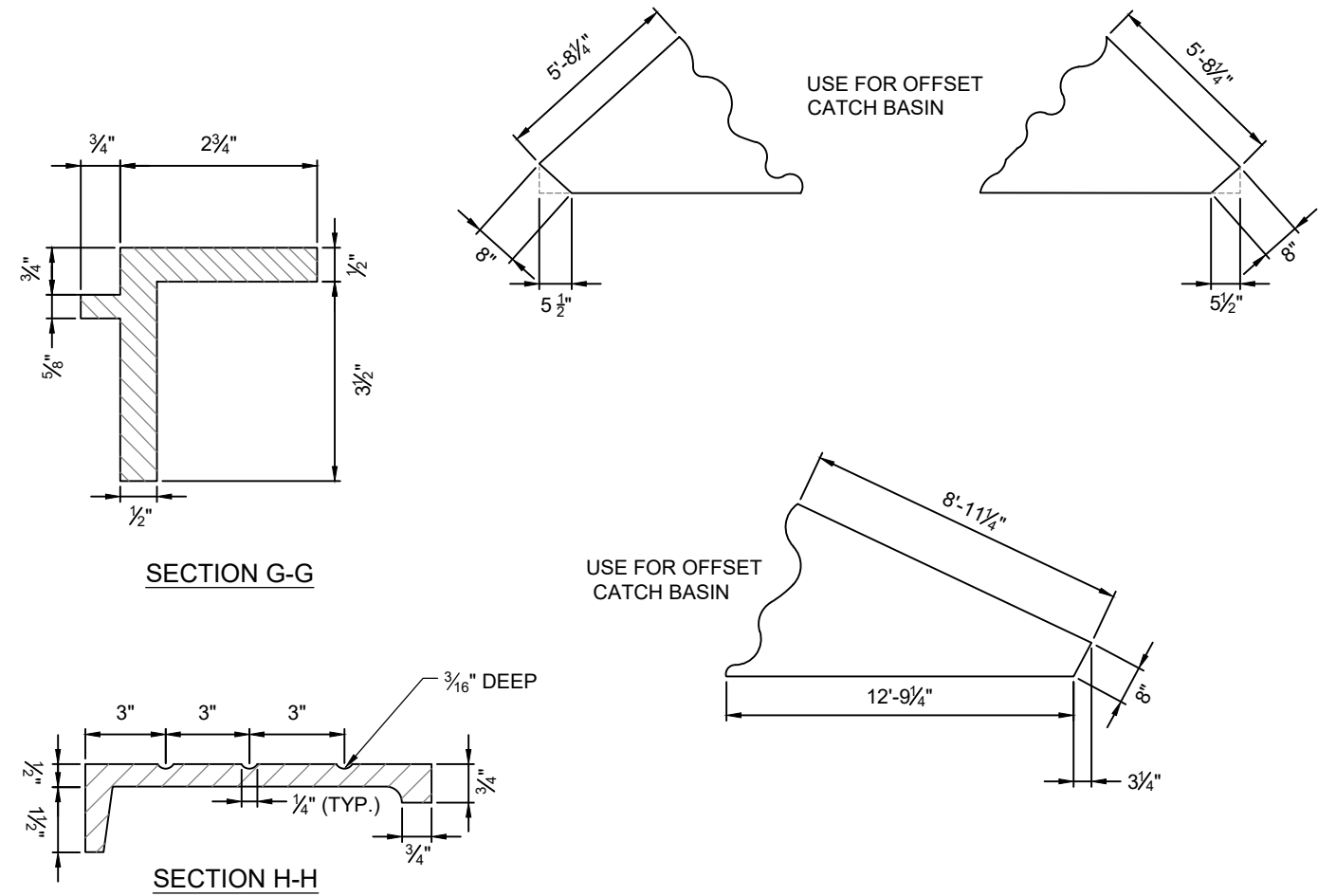
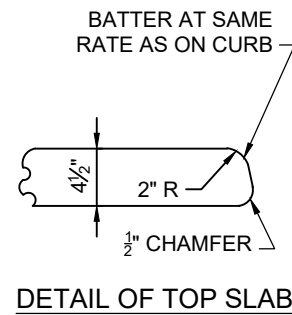
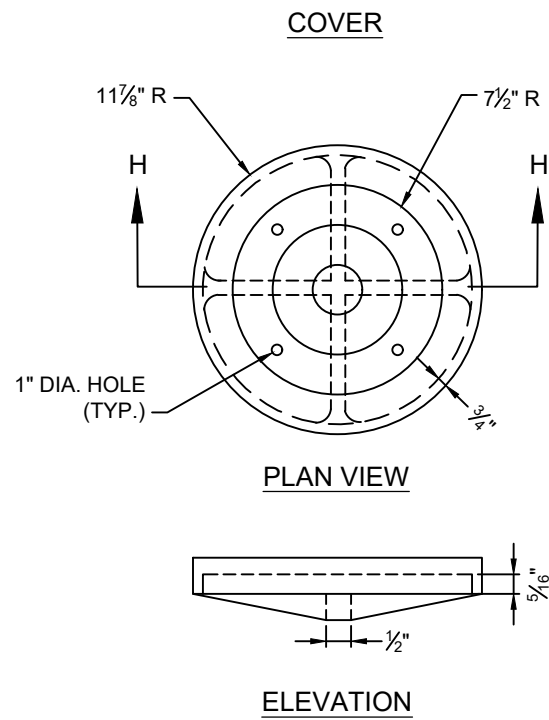
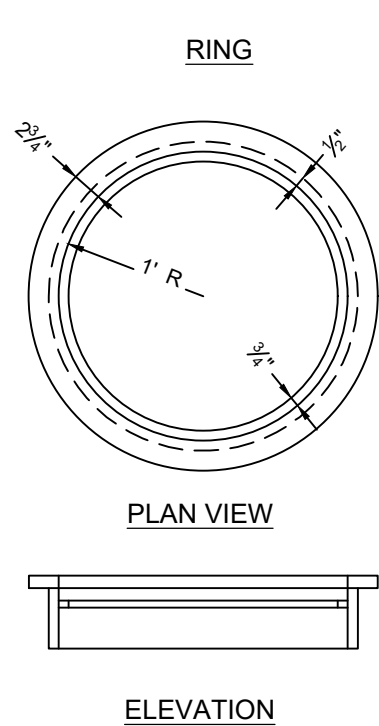


- NOTES:
- G.D.O.T. STANDARD #1033D IS ALLOWABLE ALTERNATIVE.
  - G.D.O.T. STANDARD #1034D IS ALLOWABLE ALTERNATIVE.
  - APPROXIMATE WEIGHTS OF MANHOLE AND FRAME:  
CAST IRON RING 78 LBS  
CAST IRON COVER 63 LBS
  - TOP SLAB TO HAVE WOOD FLOAT FINISH.



FULTON COUNTY STANDARD DETAIL 506

CATCH BASIN TOPS

DATE	REVISIONS	DATE	REVISIONS
M/Y	XXX	M/Y	XXX

DGS/DRN/CHKD: XXX  
APPROVED: XXX  
DATE: XX-X-XX



FULTON COUNTY PUBLIC WORKS  
141 PRYOR ST. ATLANTA, GA. 30303  
404-612-7400 FAX: 404-224-0498

DRAWING NO.

506