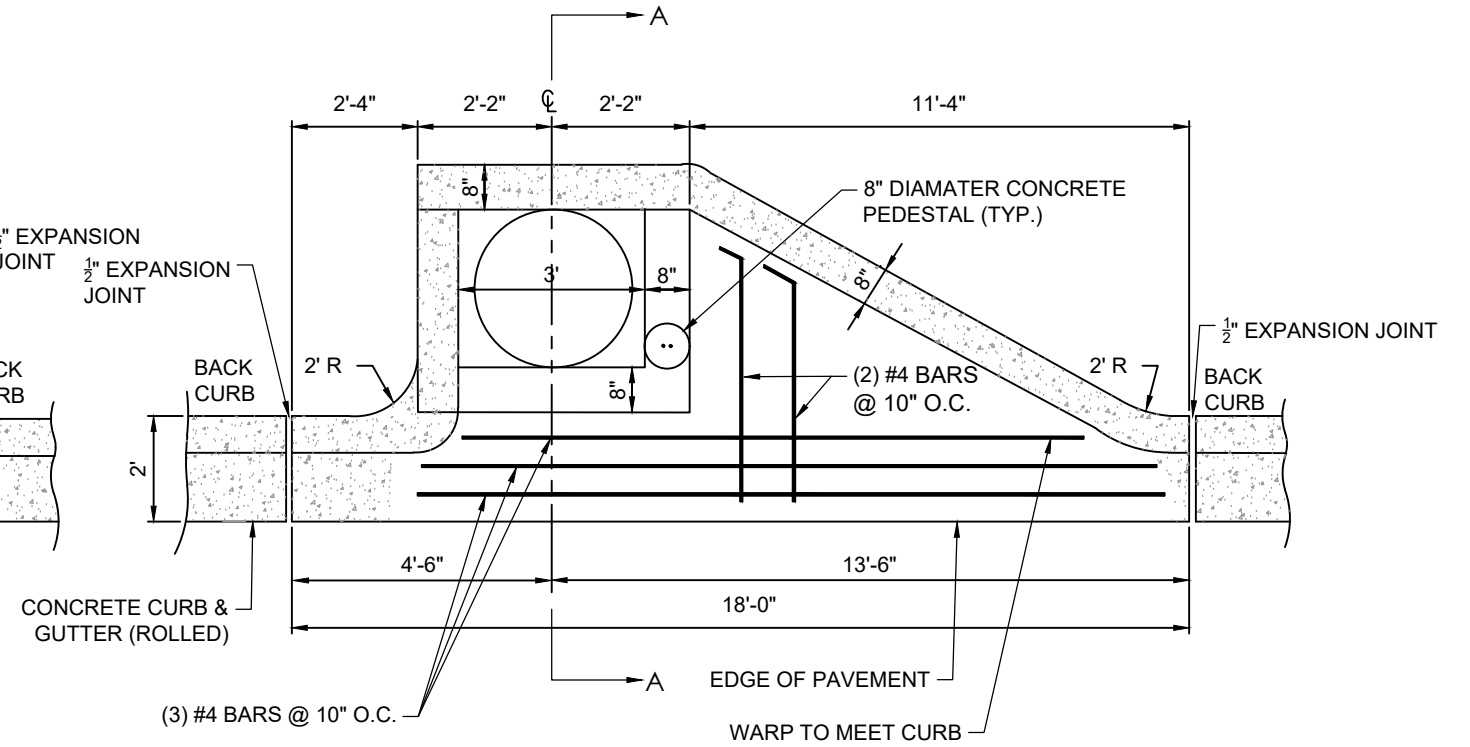
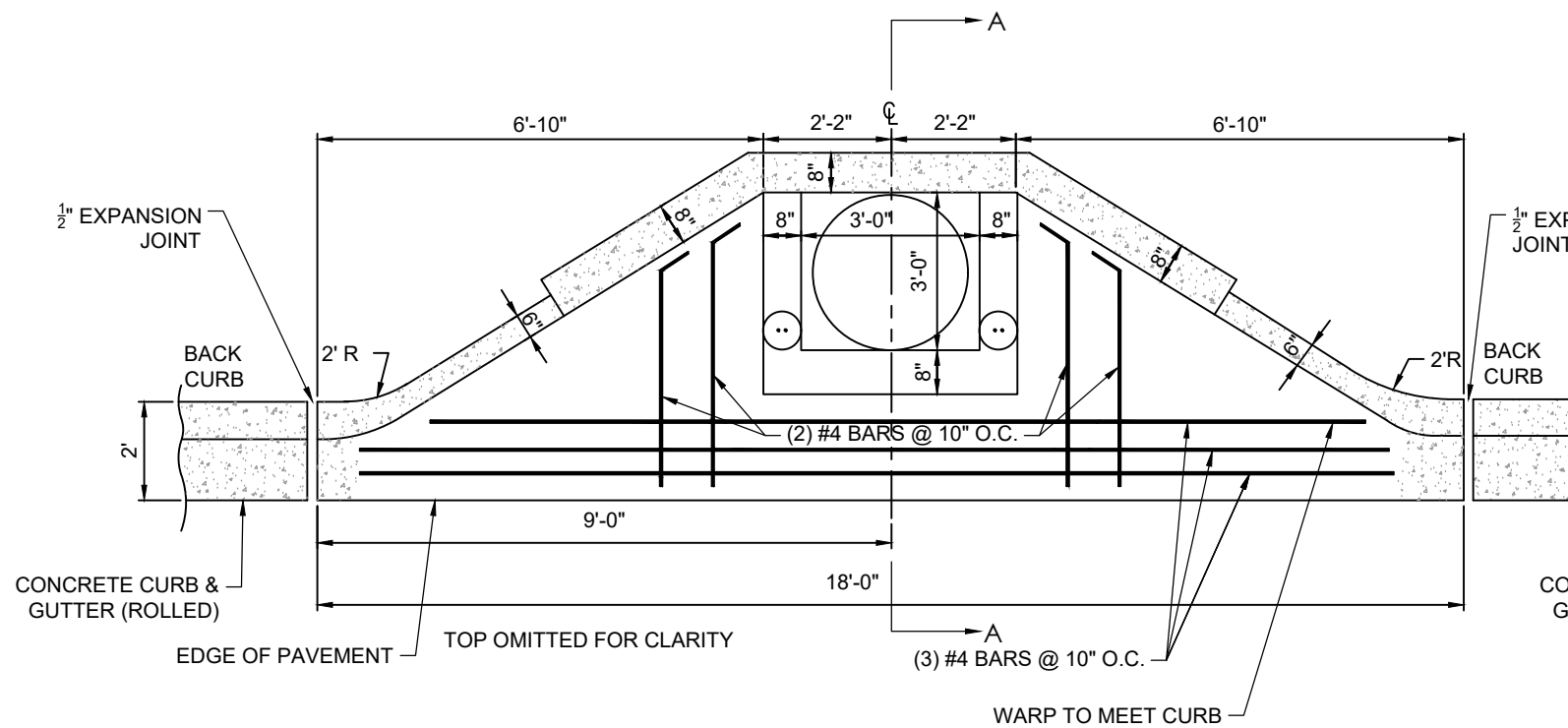


NOTES:

1. OPENING FOR CATCH BASINS TO BE 5-1/2" TO 7" MAXIMUM.
2. TOTAL DIMENSIONS FOR TOPS ± 2" (LENGTH) ± 2" (WIDTH).
3. COLLAR WALLS - FULL 360° - REQUIRED AT ALL JUNCTURES OF STORM PIPE TO BOXES.
4. IF THE DESIGN OF CATCH BASIN DOES NOT MEET THE REQUIREMENTS - YOU MAY NOT USE PRE - CAST STRUCTURES AND THE CATCH BASIN MUST BE BUILT OUT OF BRICK.

SECTION A-A
(N.T.S.)

TABLE 503-1	
PIPE SIZE	"H"
18"	5' - 0"
24"	5' - 6"
30"	6' - 0"



FULTON COUNTY STANDARD DETAIL 503
CATCH BASINS WITH ROLLED CURB & GUTTER
10" OFFSET
(PRIVATE DEVELOPMENT ONLY)

DATE	REVISIONS	DATE	REVISIONS
M/Y	XXX	M/Y	XXX

DGS/DRN/CHKD: XXX
APPROVED: XXX
DATE: XX-X-XX



FULTON COUNTY PUBLIC WORKS
141 PRYOR ST. ATLANTA, GA. 30303
404-612-7400 FAX: 404-224-0498

DRAWING NO.

503