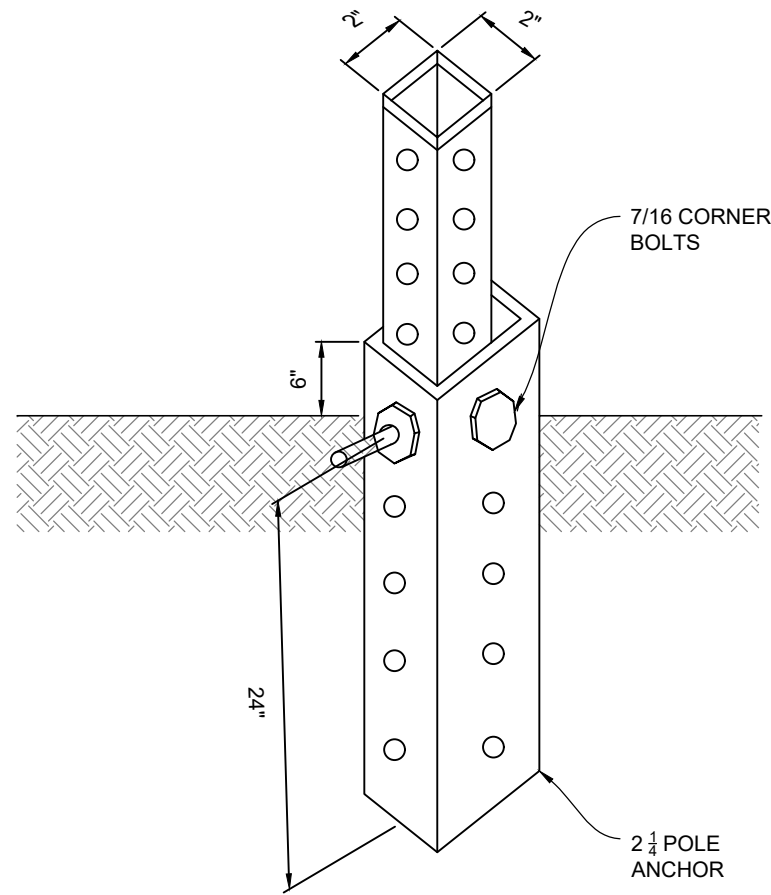
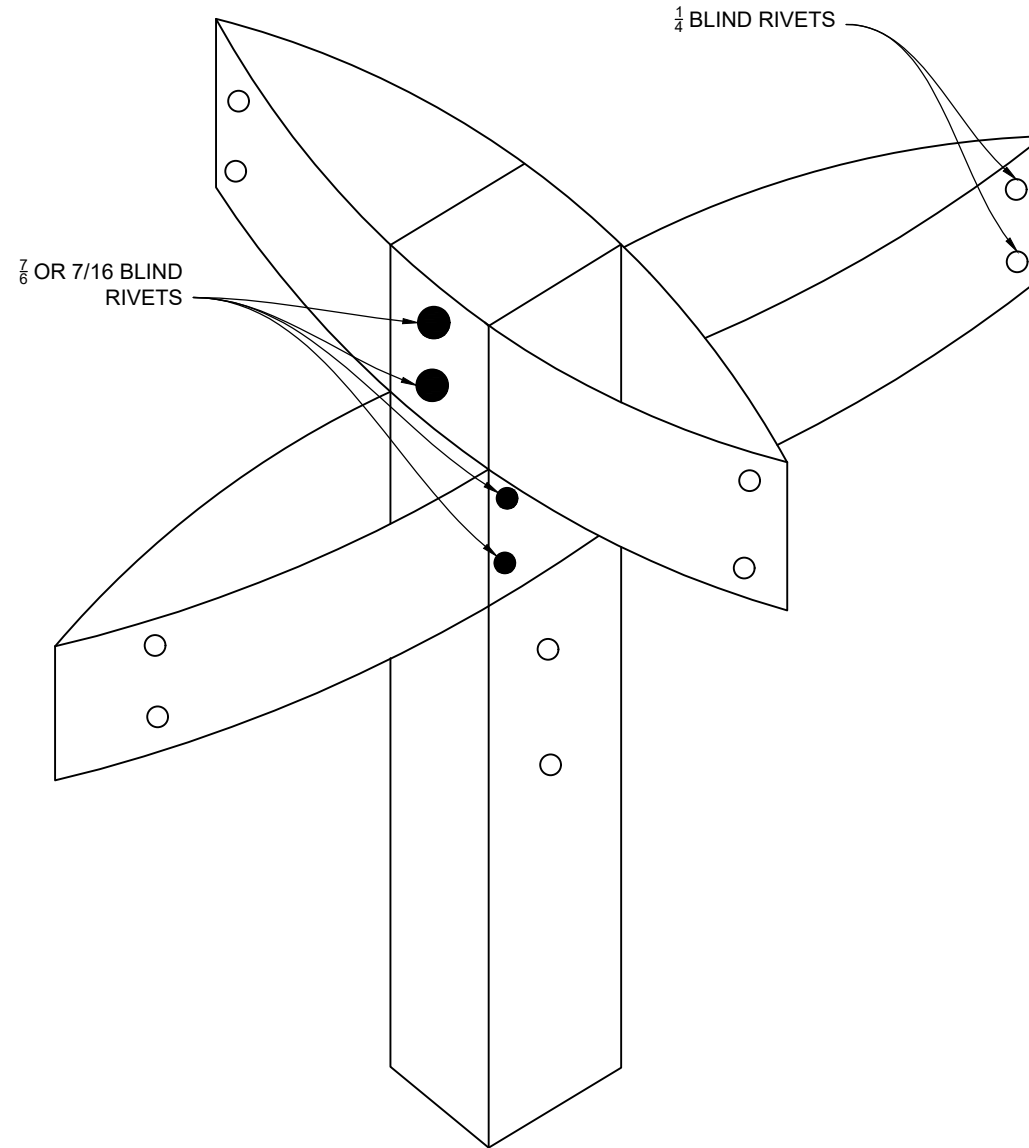


NOTES:

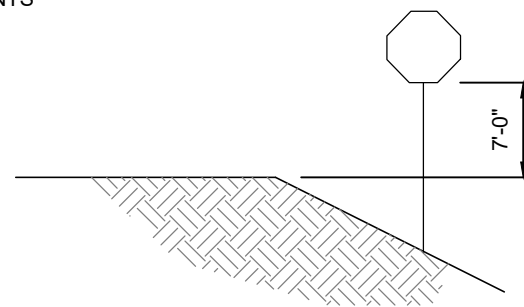
1. SEPARATE STREET SIGN AND STOP SIGN AT SUBDIVISION ENTRANCE ONLY. COMBINE STREET SIGN AND STOP SIGN WITHIN SUBDIVISION.
2. ALL TEXT IS TO BE: 6" LETTER HEIGHT, 9" BLADE.
3. FOR STREET SIGNS ONLY, USE THE FHWA SERIES 'E' FONT FOUND IN THE FHWA STANDARD SIGN MANUAL.
4. FOR WARNING AND PRIVATE SIGNS, USE THE MUTCD SIGN STANDARDS.



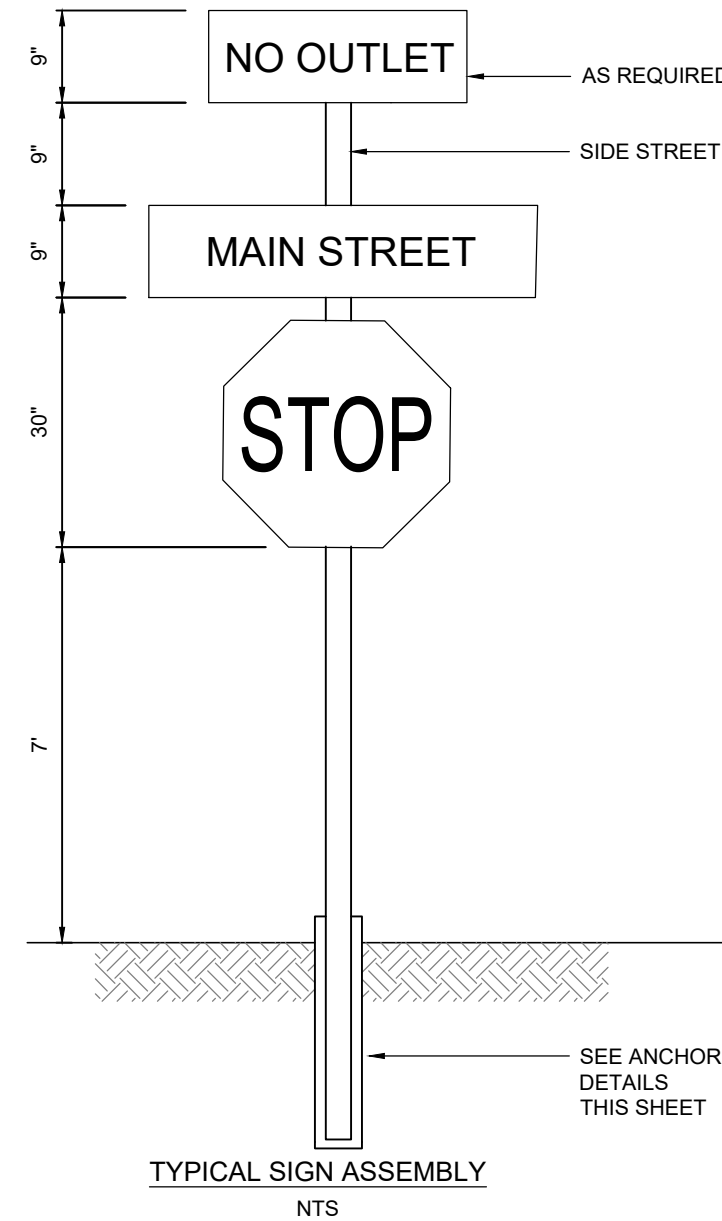
ANCHOR DETAILS
NTS



STREET NAME SIGN MOUNTING DETAILS
NTS



SIGN- INSTALLATION DETAIL
NTS



TYPICAL SIGN ASSEMBLY
NTS

FULTON COUNTY STANDARD DETAIL 322C

SIGN DETAILS AND LOCATION
SHEET 3 OF 3

DATE	REVISIONS	DATE	REVISIONS
M/Y	XXX	M/Y	XXX

DGS/DRN/CHKD: XXX
 APPROVED: XXX
 DATE: XX-X-XX



FULTON COUNTY PUBLIC WORKS
 141 PRYOR ST. ATLANTA, GA. 30303
 404-612-7400 FAX: 404-224-0498

DRAWING NO.

322C