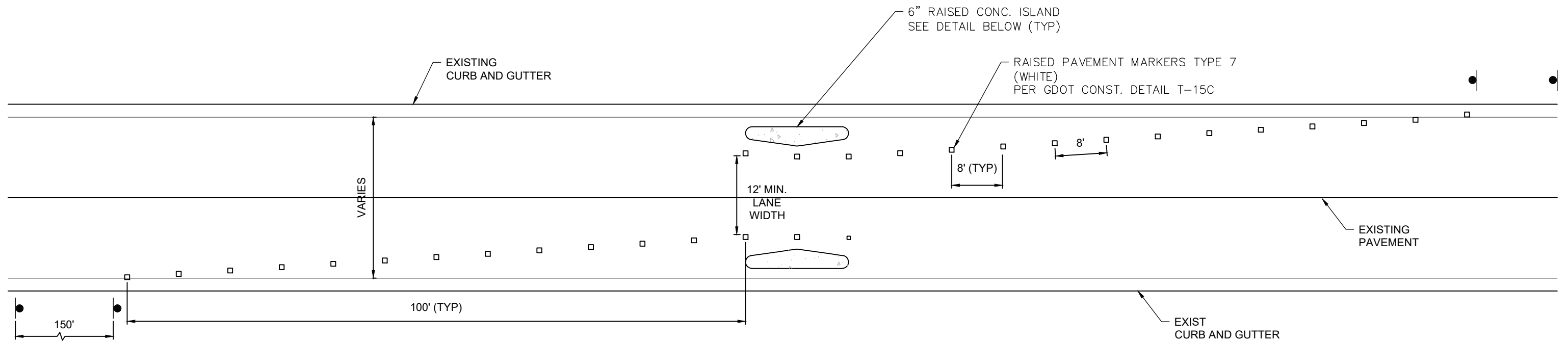


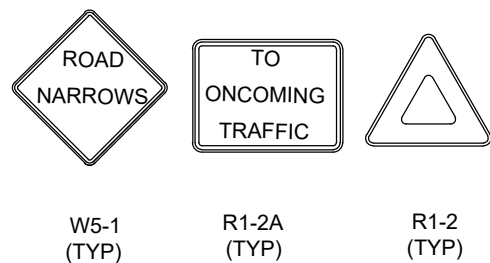
CONC ISLAND DETAIL
NTS

NOTES:

1. SEE DWG. 307 FOR CONCRETE MEDIAN CONSTRUCTION DETAIL.
2. SEE SIGN INSTALLATION DETAIL DWG 322 A/B/C.
3. INSTALL RAISED PAVEMENT MARKERS USING HEATED BITUMINOUS ADHESIVE IN ACCORDANCE WITH SECTION 868 OR GDOT SPECIAL SHELF PROVISION SPECIFICATIONS.



PLAN
NTS



FULTON COUNTY STANDARD DETAIL 317

ONE LANE CHOKER

DATE	REVISIONS	DATE	REVISIONS
M/Y	XXX	M/Y	XXX

DGS/DRN/CHKD: XXX
 APPROVED: XXX
 DATE: XX-X-XX



FULTON COUNTY PUBLIC WORKS
 141 PRYOR ST. ATLANTA, GA. 30303
 404-612-7400 FAX: 404-224-0498

DRAWING NO.

317

95% SUBMITTAL