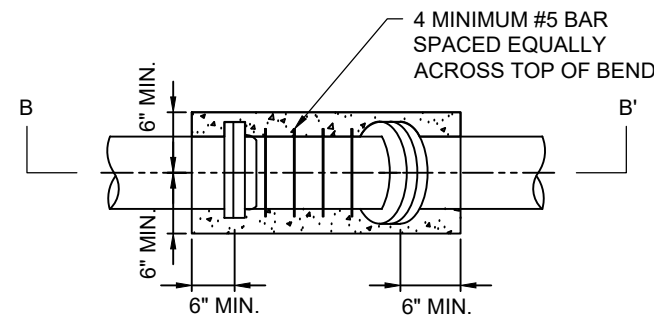
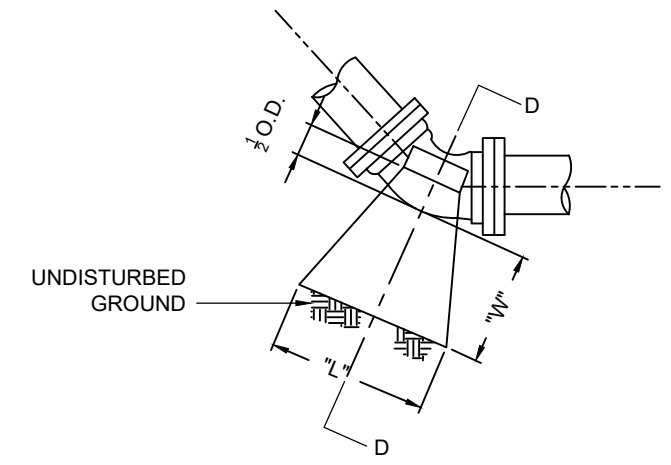


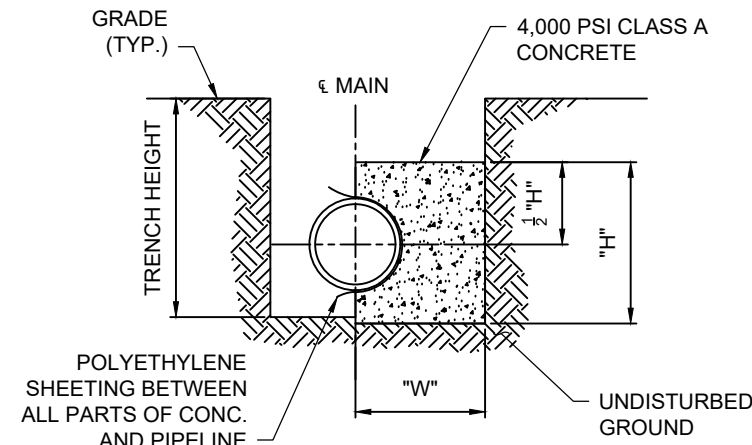
PLAN VIEW  
NTS



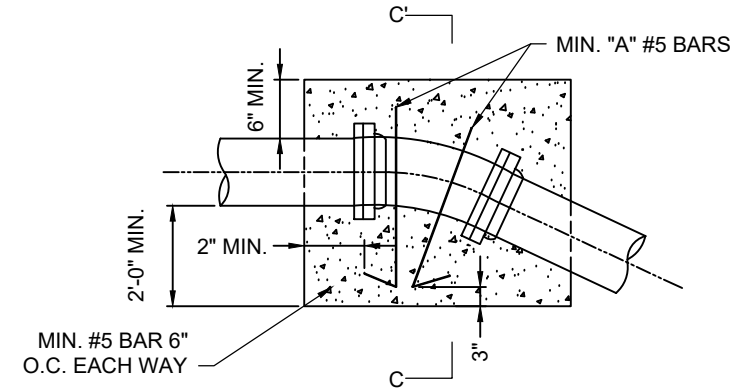
PLAN VIEW  
NTS



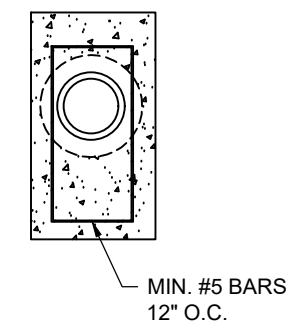
ELEVATION  
NTS



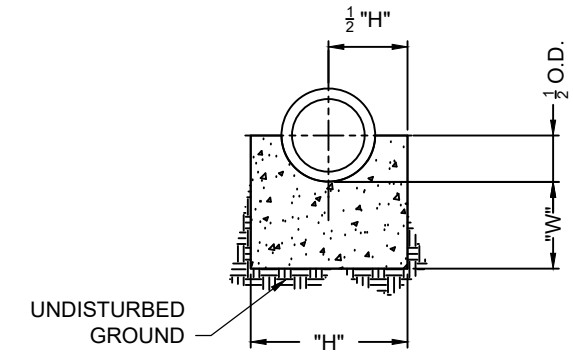
SECTION A-A'  
NTS



SECTION B-B'  
NTS



SECTION C-C'  
NTS



SECTION D-D  
NTS

NOTES:

1. THRUST BLOCK DIMENSIONS ARE BASED ON 2,000 PSF SOIL BEARING PRESSURE AND 250 PSI TEST PRESSURE. ACTUAL INSIDE DIAMETER OF DUCTILE IRON PIPE CLASS 52 USED AS STANDARD.
2. SOIL CONDITIONS SHALL BE VERIFIED BY ENGINEER BEFORE THRUST BLOCK IS CONSTRUCTED. WHERE SOIL BEARING PRESSURE IS LESS THAN 2,000 PSF, THRUST BLOCK BEARING AREA SHALL BE INCREASED APPROPRIATELY.
3. ALL CONCRETE SHALL BE CLASS A, 4000 PSI.
4. SEE DWG. NO. 132B FOR THRUST BLOCK CONCRETE SPECIFICATIONS.

HORIZONTAL THRUST DETAIL ①  
NTS

UPWARD THRUST DETAIL ②  
NTS

DOWNWARD THRUST DETAIL ③  
NTS

FULTON COUNTY STANDARD DETAIL 132A  
STANDARD THRUST BLOCK DETAILS

| DATE | REVISIONS | DATE | REVISIONS |
|------|-----------|------|-----------|
| M/Y  | XXX       | M/Y  | XXX       |
|      |           |      |           |
|      |           |      |           |
|      |           |      |           |
|      |           |      |           |

DGS/DRN/CHKD: XXX  
APPROVED: XXX  
DATE: XX-X-XX



FULTON COUNTY PUBLIC WORKS  
141 PRYOR ST. ATLANTA, GA. 30303  
404-612-7400 FAX: 404-224-0498

DRAWING NO.  
132A

95% SUBMITTAL