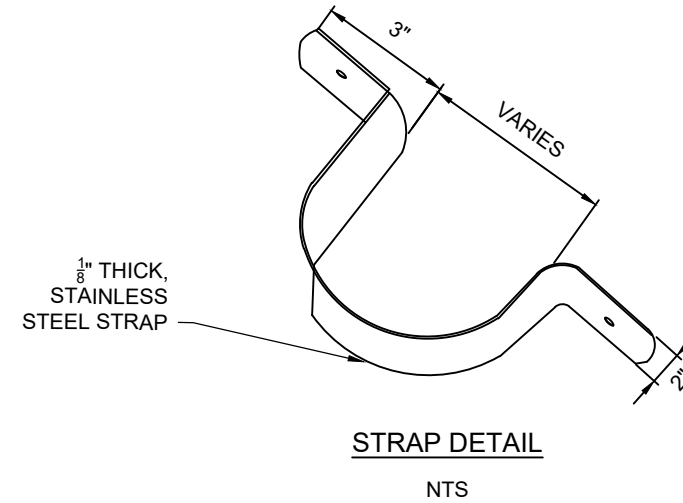


TABLE 118-1

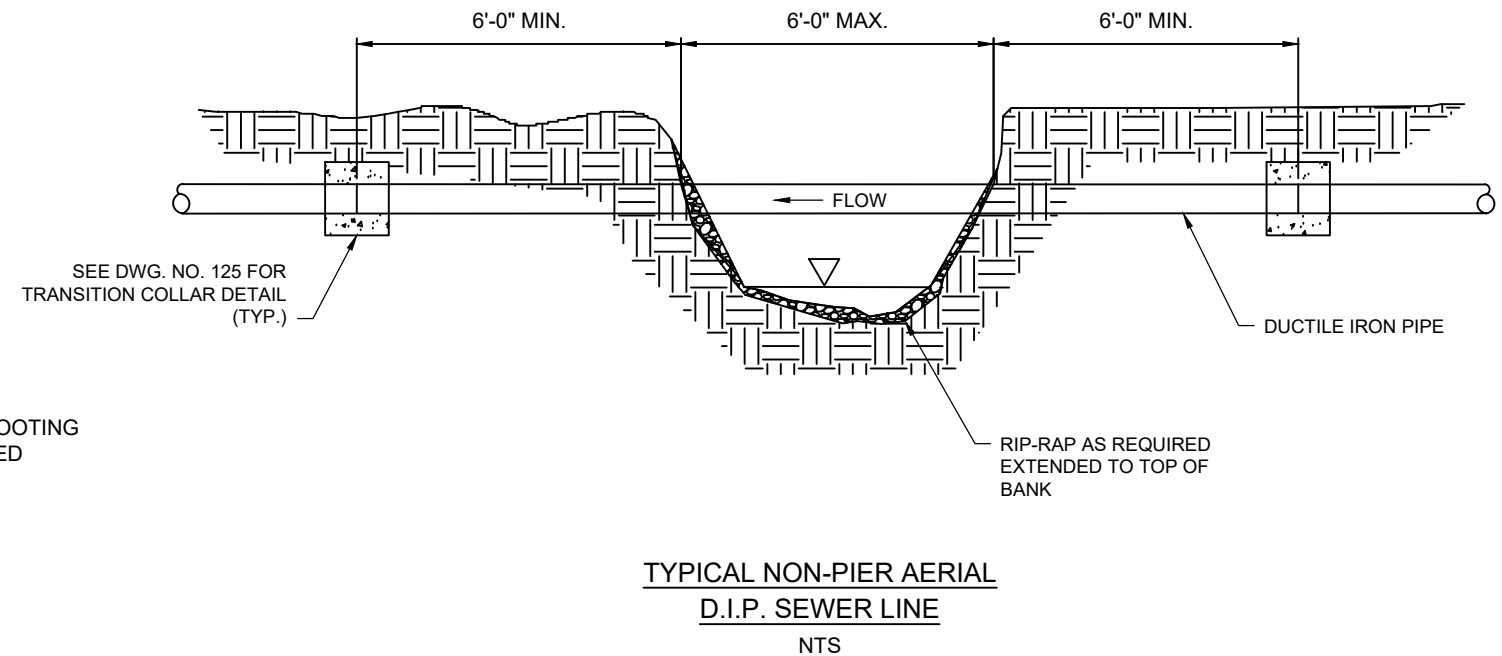
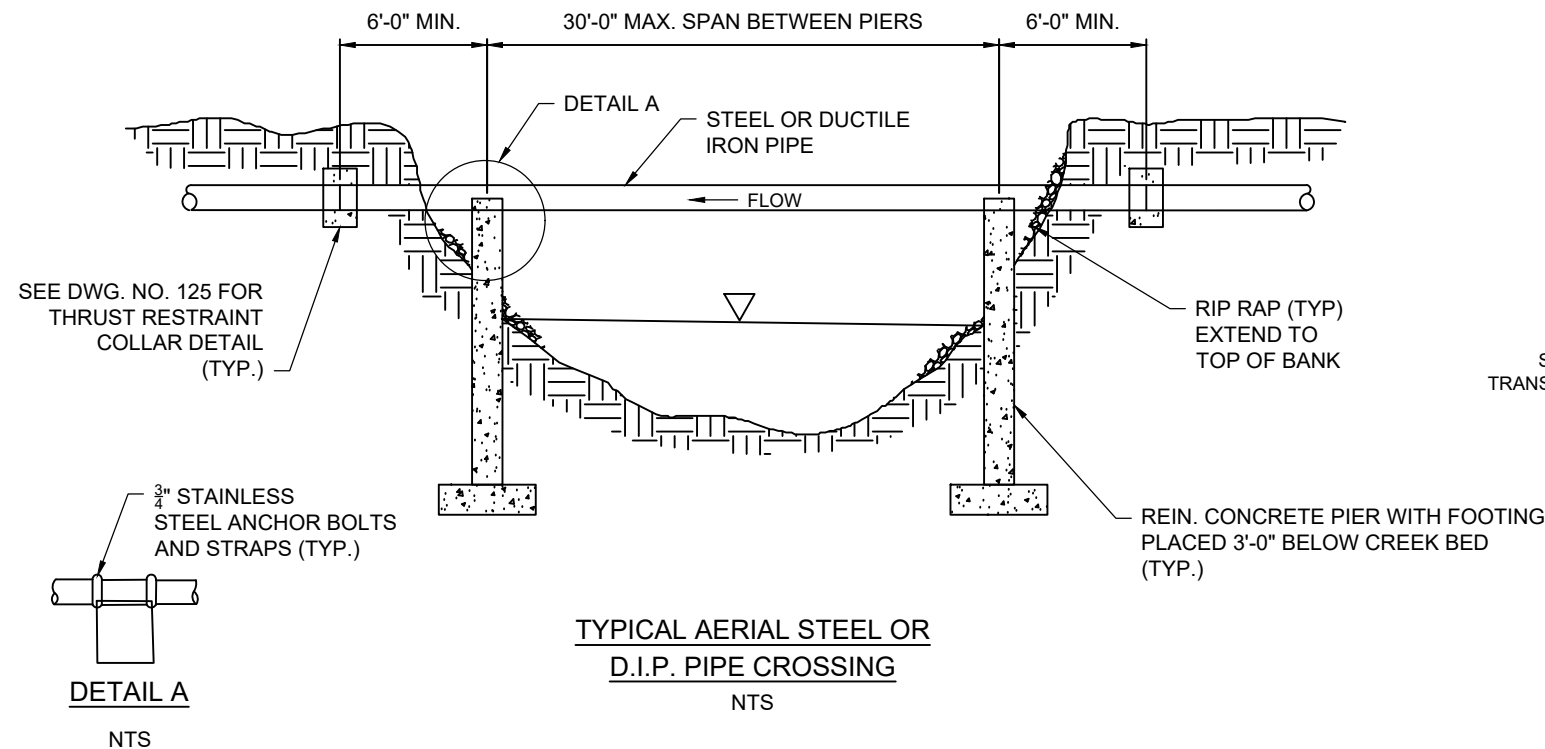
ALLOWABLE SPANS FOR STEEL CASING PIPE

| CARRIER PIPE, R.J. DIP DIAMETER (IN) | CASING PIPE, STEEL DIAMETER (IN) | MIN. CASING PIPE WALL THICKNESS (IN) | ALLOWABLE SPAN (FT) |
|--------------------------------------|----------------------------------|--------------------------------------|---------------------|
| 6 | 14 | 0.3750 | 40 |
| 8 | 16 | 0.3750 | 45 |
| 10 | 18 | 0.3750 | 50 |
| 12 | 20 | 0.3750 | 50 |
| 14 | 24 | 0.3750 | 55 |
| 16 | 26 | 0.3750 | 55 |
| 18 | 30 | 0.3750 | 60 |
| 20 | 32 | 0.3750 | 60 |
| 24 | 36 | 0.4375 | 65 |
| 30 | 42 | 0.4375 | 65 |
| 36 | 48 | 0.5000 | 65 |
| 40 | 56 | 0.5000 | 65 |



NOTES:

1. STEEL PIPE COATED INSIDE AND COATED AND WRAPPED OUTSIDE MAY BE USED.
2. WHERE SEWER PIPES RUN PARALLEL WITH CREEKS OR STREAMS, HDPE PIPE SHALL BE USED. RIP RAP IS REQUIRED WITHIN 10 FEET OF SEWER EASEMENT. ALL SEWER OUTFALLS MUST BE LEFT ACCESSIBLE TO COUNTY SERVICE TRUCKS. GATES (12 FEET) WILL BE REQUIRED ON FENCES ACROSS SEWER LINES.
3. CONCRETE STRENGTH TEST MAY BE REQUIRED FOR ALL POURED IN PLACE CONCRETE.
4. REFER TO FULTON COUNTY STANDARD 401 FOR RIP RAP SPECIFICATIONS.
5. WHENEVER POSSIBLE, NO PIERS SHALL BE PLACED IN NORMAL FLOW OF CREEK.
6. ALL AERIAL CROSSINGS MUST BE APPROVED IN WRITING BY FULTON COUNTY.
7. ANY SPAN EXCEEDING 30 FEET REQUIRES SUBMITTAL OF DESIGN CALCULATIONS.
8. ALL AERIAL CROSSINGS MUST AT MINIMUM HAVE STEEL CASING PIPE.
9. ALL PIER FOUNDATIONS SHALL CONFORM TO THE RECOMMENDATIONS OF A PROFESSIONAL ENGINEER LICENSED IN THE STATE GEORGIA.
10. AERIAL CROSSING SHALL BE APPROVED BY LOCAL AUTHORITY HAVING JURISDICTION PRIOR TO ACCEPTANCE BY FULTON COUNTY.
11. NO PLASTIC PIPE ALLOWED FOR AERIAL CROSSINGS.
12. STEEL CASING PIPE SHALL BE SPIRAL WELDED OR SMOOTH WALL SEAM LESS WITH A MINIMUM YIELD STRENGTH OF 35000 PSI
13. EXPANSION JOINT BETWEEN PIERS SHALL BE INSTALLED IF REQUIRED BY DESIGN ENGINEER.



FULTON COUNTY STANDARD DETAIL 118
SEWER PIPE DITCH CROSSING

| DATE | REVISIONS | DATE | REVISIONS |
|------|-----------|------|-----------|
| M/Y | XXX | M/Y | XXX |
| | | | |
| | | | |
| | | | |
| | | | |

DGS/DRN/CHKD: XXX
APPROVED: XXX
DATE: XX-X-XX



FULTON COUNTY PUBLIC WORKS
141 PRYOR ST. ATLANTA, GA. 30303
404-612-7400 FAX: 404-224-0498

DRAWING NO.
118