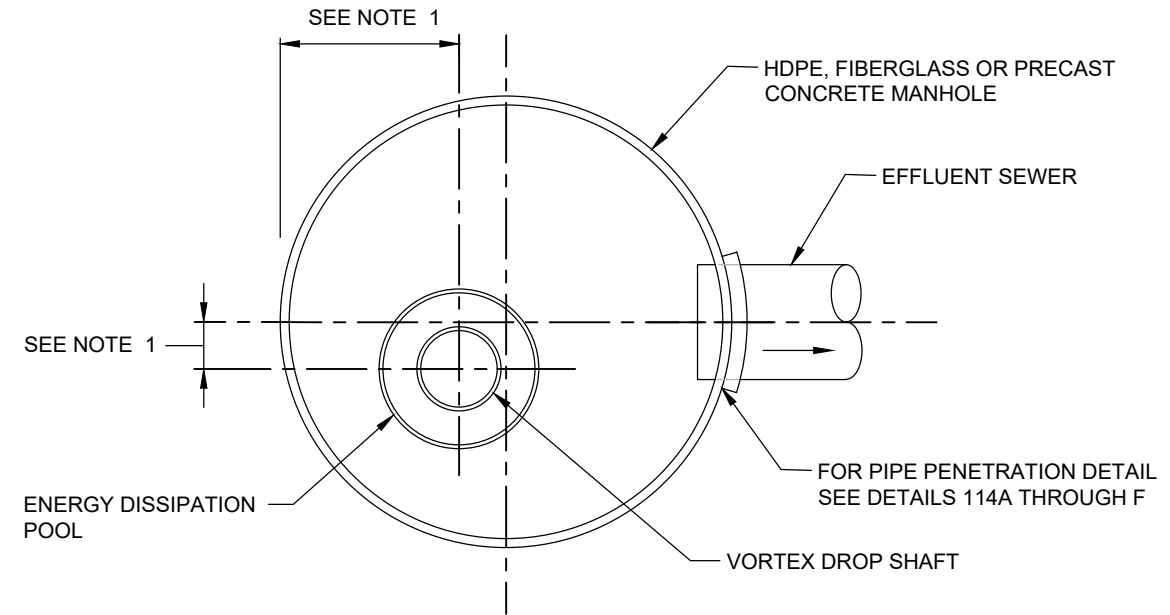


SECTIONAL VIEW  
N.T.S.



BASE PLAN VIEW  
N.T.S.

NOTES:

1. DIMENSION TO BE DETERMINED BY EQUIPMENT FURNISHED.
2. VORTEX MANUFACTURER TO COORDINATE WITH MANHOLE MANUFACTURER & FURNISH ANCHORS COMPATIBLE WITH MANHOLE MATERIALS.
3. HDPE OR FIBERGLASS MANHOLES ARE PREFERRED. PRECAST CONCRETE MANHOLES MAY BE USE ONLY WITH FCPW APPROVAL.
4. GROUTED BENCH SURFACES SHALL BE COATED WITH EPOXY.
5. ODOR AND CORROSION CONTROL INSERT SHALL BE VORTEX FLOW BY IPEX OR APPROVED EQUAL.
6. MANHOLE SHALL BE PROVIDED WITH AN ODOR REMOVAL SYSTEM DESIGNED BY THE ENGINEER.
7. ODOR REMOVAL SYSTEM SHALL BE PURAFIL OR EQUAL AS APPROVED BY FCPW.
8. MINIMUM MANHOLE DIAMETER SHALL BE 60-INCHES.

DATE	REVISIONS	DATE	REVISIONS

DGS/DRN/CHKD: XXX  
 APPROVED: XXX  
 DATE: XX-X-XX



FULTON COUNTY PUBLIC WORKS  
 141 PRYOR ST. ATLANTA, GA. 30303  
 404-612-7400 FAX: 404-224-0498

DRAWING NO.

116

FULTON COUNTY STANDARD DETAIL 116  
 FORCE MAIN DISCHARGE MANHOLE DETAILS

95% SUBMITTAL