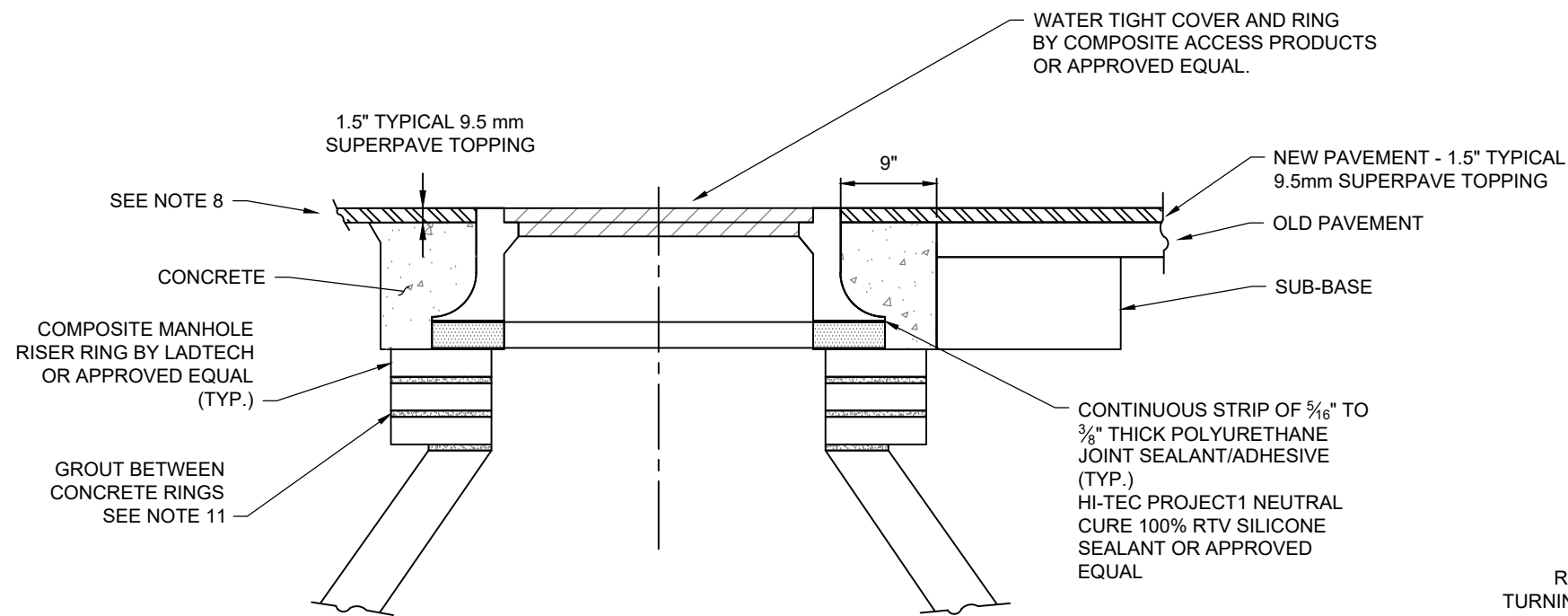


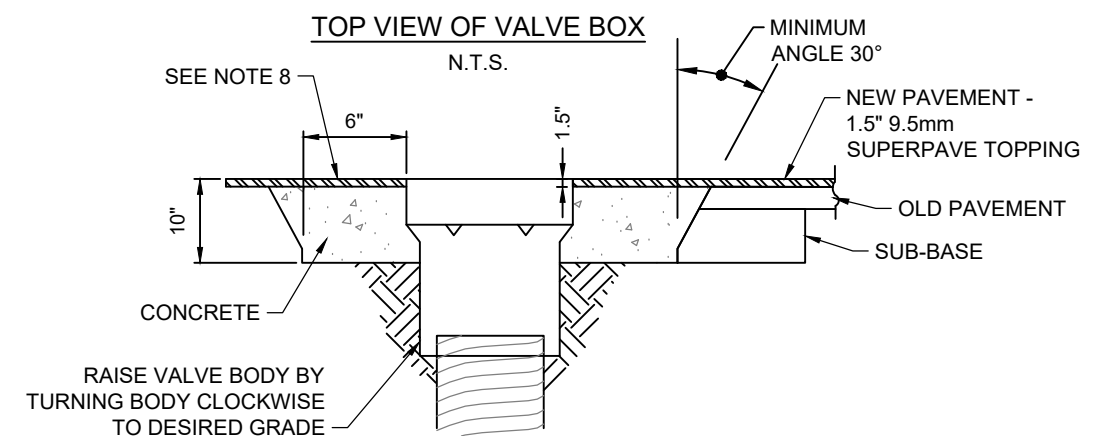
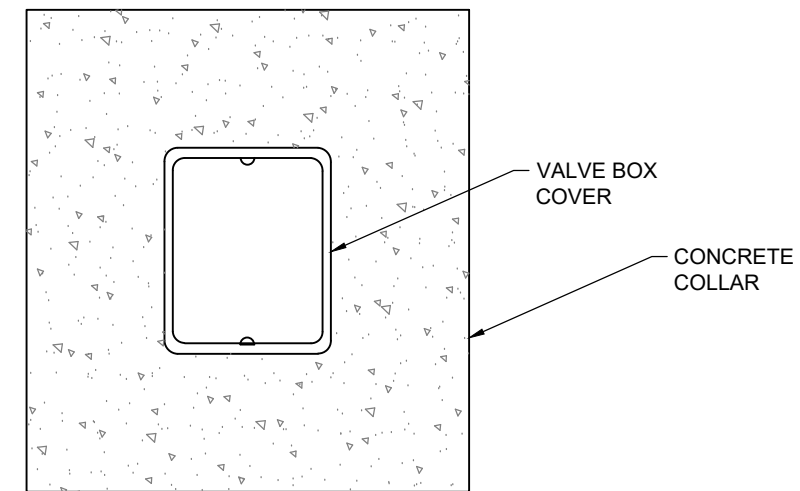
TOP VIEW OF RISERS
N.T.S.



MANHOLE DETAIL
N.T.S.

NOTES:

1. STRUCTURES SHALL NOT BE ADJUSTED FOR A PERIOD OF 24 HOURS AFTER RESURFACING IS COMPLETED IN THAT AREA.
2. ASPHALT SHALL BE SAWCUT TO MAKE A SMOOTH, EVEN EDGE.
3. STRUCTURE COVER SHALL BE ADJUSTED TO FIT FLUSH WITH STREET SURFACE.
4. ALL CONCRETE SHALL HAVE A COMPRESSIVE STRENGTH OF 4000 PSI.
5. CONCRETE WILL BE USED TO BACKFILL THE ENTIRE WORKING AREA.
6. FINISHING CONCRETE SHALL BE DONE BY USE OF A TROWEL OR FLOAT.
7. CLEAN ALL ASPHALT OFF SEWER MANHOLES AT TIME OF PAVING TO ALLOW ACCESS TO SYSTEM AT ALL TIMES.
8. THE STATE, COUNTY AND/OR CITY HAS THE OPTION OF EXTENDING THE CONCRETE TO THE FINISHED GRADE INSTEAD OF PAVING WITH ASPHALT. PLEASE VERIFY WITH THE INSPECTOR.
9. TOP VIEW OF MANHOLE OPTIONAL SQUARE OR ROUND CONCRETE COLLAR.
10. COMPOSITE RING, COVER & RISER RING SHALL BE THE STANDARD.
11. PRECAST CONCRETE RISER RING MAY BE USE ONLY WITH FCPW'S EXPLICIT EXCEPTIONAL APPROVAL.



VALVE
N.T.S.

FULTON COUNTY STANDARD DETAIL 105
STRUCTURE ADJUSTMENT

DATE	REVISIONS	DATE	REVISIONS
M/Y	XXX	M/Y	XXX

DGS/DRN/CHKD: XXX
APPROVED: XXX
DATE: XX-X-XX



FULTON COUNTY PUBLIC WORKS
141 PRYOR ST. ATLANTA, GA. 30303
404-612-7400 FAX: 404-224-0498

DRAWING NO.
105

95% SUBMITTAL