

DOGHOUSE MANHOLE DETAIL

DOGHOUSE MANHOLES:

1. FIG.-A Doghouse manholes are used, the base slab may be cast-in-place or precast and shall have reinforcing bars extending into the concrete fill used for the flow channel and bench. The doghouse manhole section shall have openings provided by the manufacturer to fit over the existing pipe(s). The opening around the existing pipe(s) shall be sealed with concrete when forming the flow channel to the top of the bench and the remaining opening above the bench with concrete or brick and mortar.

NOTES:

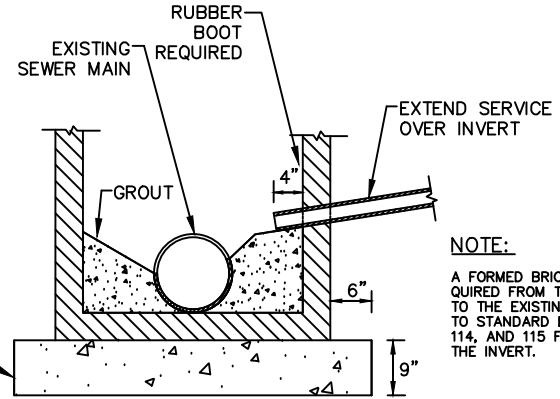
1. Flow shall be maintained during doghouse manhole construction.

3. Manhole pad to rest upon a minimum of 9" compacted #57 stone base.

NOT TO SCALE

NOTE:

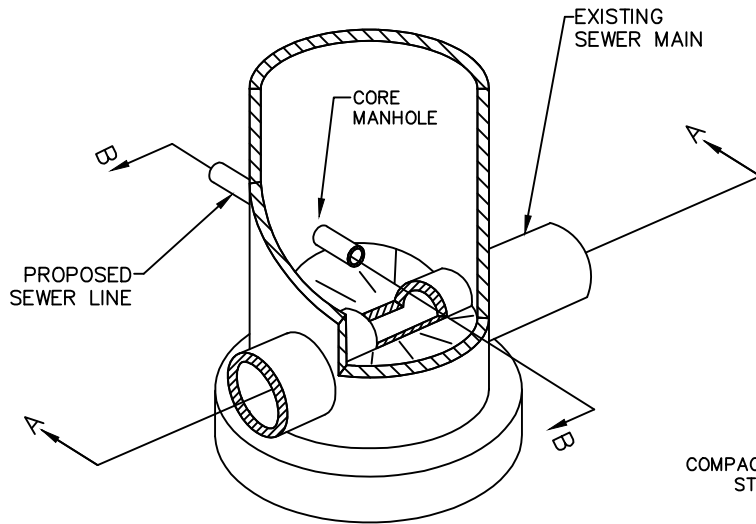
REFER TO STANDARD DETAILS 111, 113, 114, AND 115 FOR ADDITIONAL DETAILS OF MANHOLE.



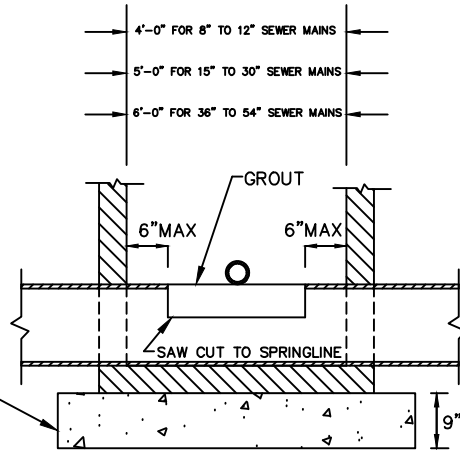
NOTE:

A FORMED BRICK INVERT IS REQUIRED FROM THE NEW SERVICE TO THE EXISTING PIPE. REFER TO STANDARD DETAILS 111, 113, 114, AND 115 FOR DETAILS OF THE INVERT.

CROSS SECTION AT EXISTING SEWER MAIN (B-B)



COMPACTED # 57
STONE BASE



SECTION ALONG CENTERLINE OF EXISTING SEWER MAIN (A-A)

Fig.-A

FULTON COUNTY STANDARD DETAIL 713
DOGHOUSE MANHOLE
DETAIL

DATE	REVISIONS	DATE	REVISIONS

DGS/DRN/CHKD: AD/AH
APPROVED: REW
DATE: 01-30-18



FULTON COUNTY WATER RESOURCES DEPARTMENT
141 PRYOR ST. ATLANTA, GA. 30303
404-612-7400 FAX: 404-224-0498

DRAWING NO.

713