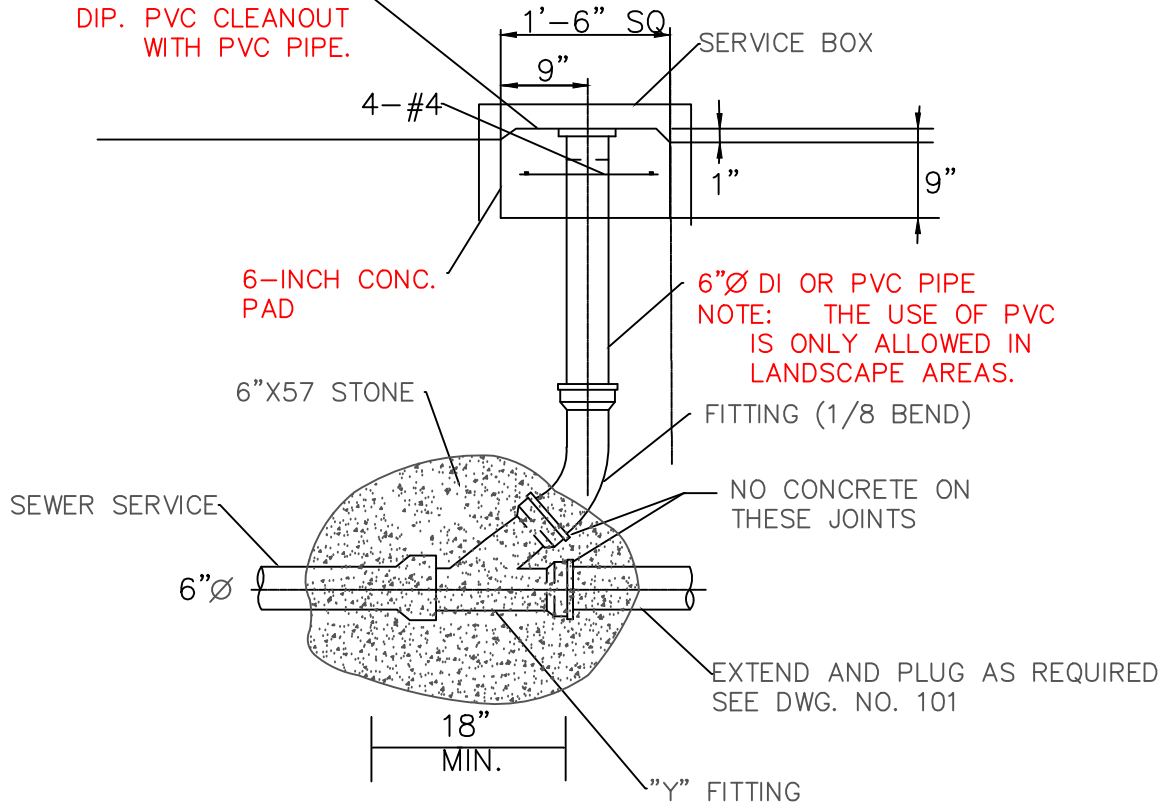


**NOTES:**

1. TOP OF SERVICE BOX SHALL BE FLUSH WITH FINAL SURFACE IN SIDEWALKS AND PAVED AREAS.
2. HEAVY DUTY CLEANOUT BOX AND LID ARE REQUIRED IN PAVED AREAS.
3. CLEANOUTS IN PAVED AREA ARE TO BE 6-INCH DUCTILE IRON PIPE.

COUNTERSUNK BRASS CLEANOUT PLUG WITH DIP. PVC CLEANOUT WITH PVC PIPE.



USF 7635 SEWER VALVE BOX AND COVER  
N.T.S.

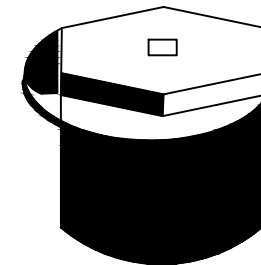
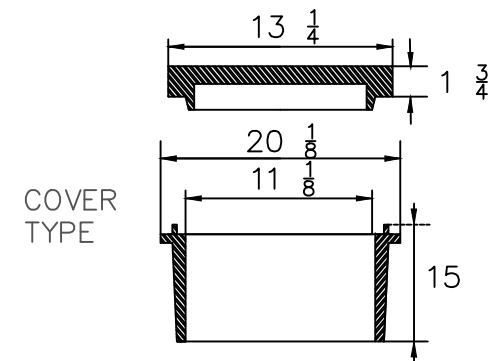
STANDARDS AND SPECIFICATIONS:

1. COVER IS MARKED "S".

TO ORDER:

1. SPECIFY USF NUMBER AND COVER TYPE.

COVER TYPE	LOAD RATING	COVER WEIGHT	TOTAL WEIGHT
FJ	HEAVY DUTY	55	230



NO. 53 STANDARD

FULTON COUNTY STANDARD DETAIL 709  
SERVICE CONNECTION CLEANOUT

DATE	REVISIONS	DATE	REVISIONS
8/08	NRR		
1/18	TPM		

DGS/DRN/CHKD: CMS  
APPROVED: REW  
DATE: 12-2-05



FULTON COUNTY PUBLIC WORKS  
141 PRYOR ST. ATLANTA, GA. 30303  
404-612-7400 FAX: 404-224-0498

DRAWING NO.  
709