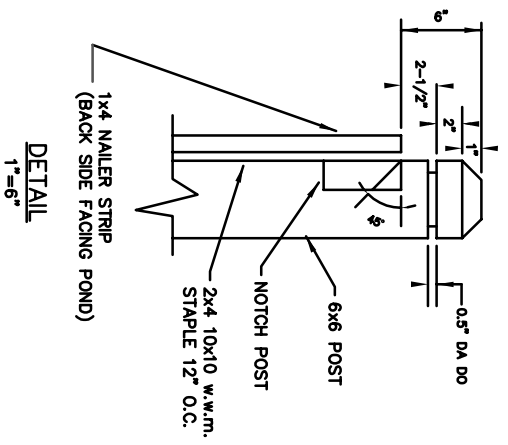
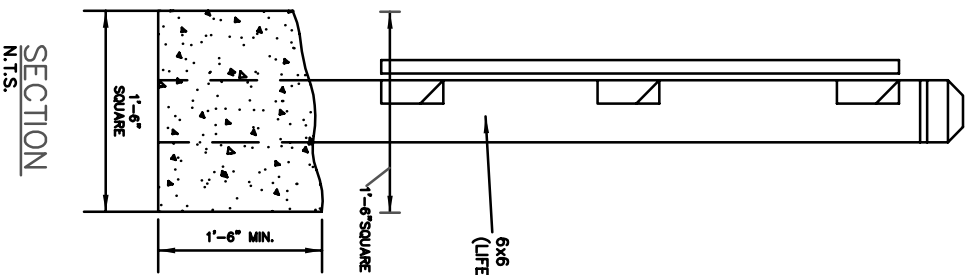
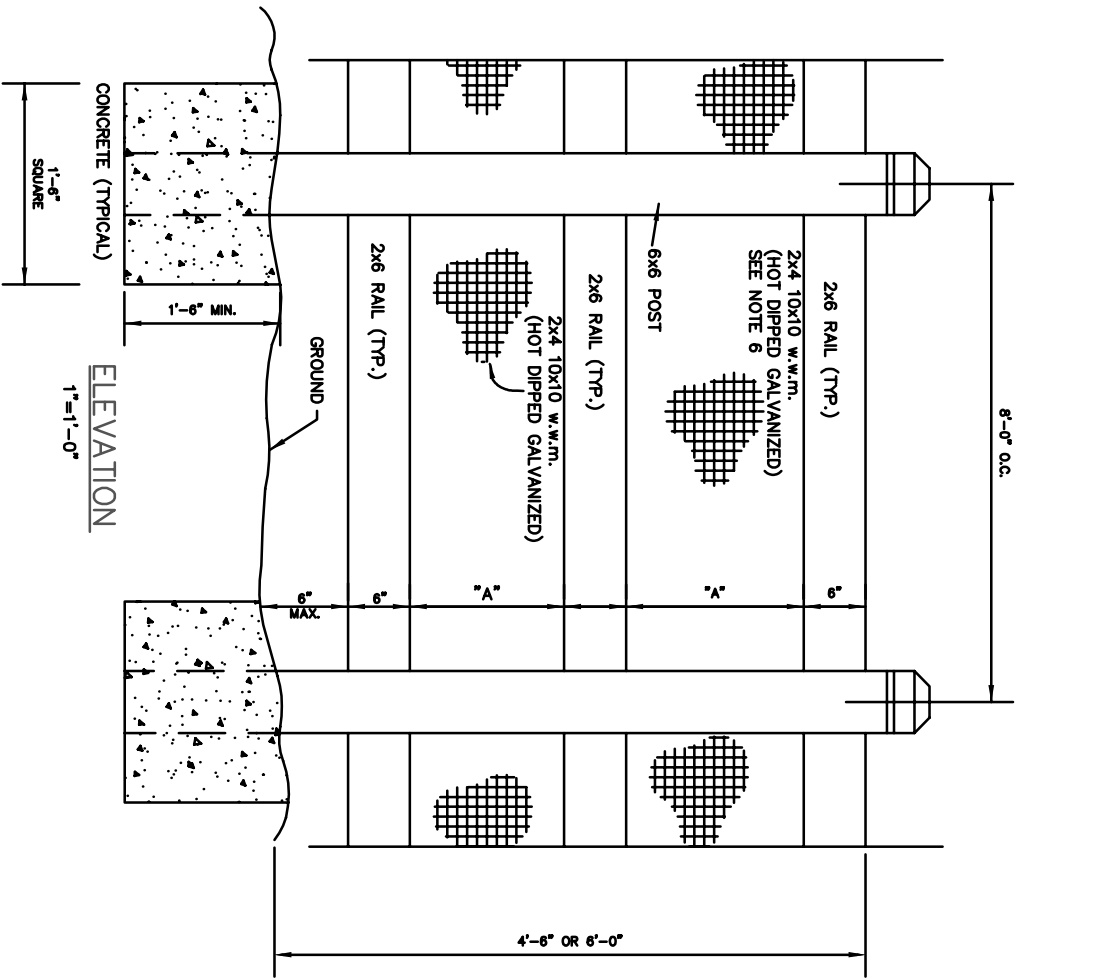


TYPE	TYPE
6'-0" HIGH FENCE	2'-0"
4'-6" HIGH FENCE	1'-3"

- NOTES:**
1. ALL FASTENERS TO BE IN COMPLIANCE WITH MANUFACTURER SPECIFICATIONS.
 2. 2x4 10x10 w.w.m. TO BE HOT-DIPPED GALVANIZED.
 3. CONCRETE SHALL BE 2500 P.S.I.
 4. A 4'-6" HIGH FENCE CAN BE ERRECTED WHEN THE POND IS 3'-0" OR LESS TO THE 25 YEAR STORM ELEVATION.
 5. A FENCE IS ALWAYS REQUIRED.
 6. OTHER WIRE GAUGES CAN BE ACCEPTED AS REQUIRED BY ENGINEER.
 7. FENCE TO BE PLACED OUTSIDE OF ACCESS.
 8. ACCESS ROAD TO BE 10' INSIDE OF FENCE.
 9. FENCE TO BE PLACED AT 25 YEAR STORM ELEVATION.



DETAIL
1"=6"

FULTON COUNTY STANDARD DETAIL 523
FENCE DETAIL FOR DETENTION PONDS
(ATL. TO CHAIN LINK)

DATE	RC	REVISIONS	DATE	RC	REVISIONS
8/08					

DGS/DRN/CHKQ:CMS
APPROVED: REW
DATE: 12-2-05



FULTON COUNTY PUBLIC WORKS
141 PRYOR ST. ATLANTA, GA. 30303
404-612-7400 FAX: 404-224-0498

DRAWING NO. 523