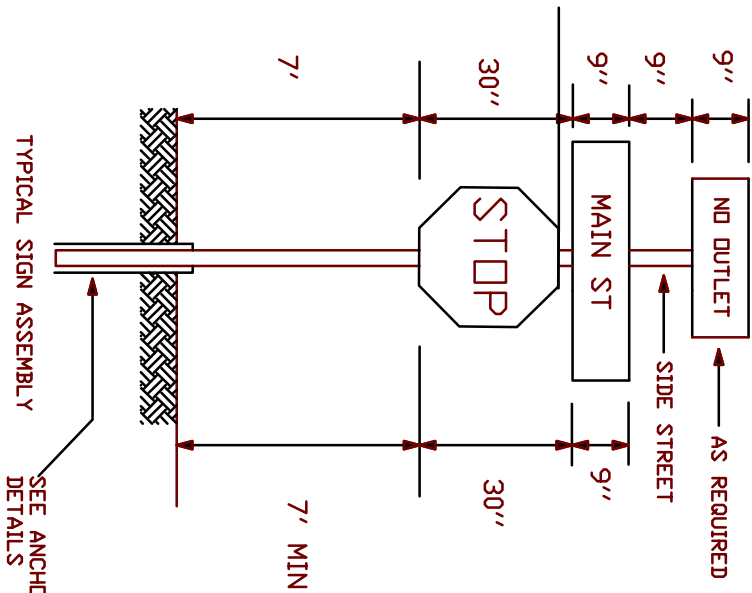
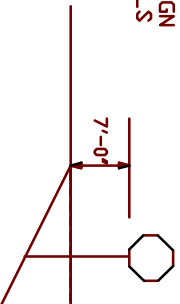
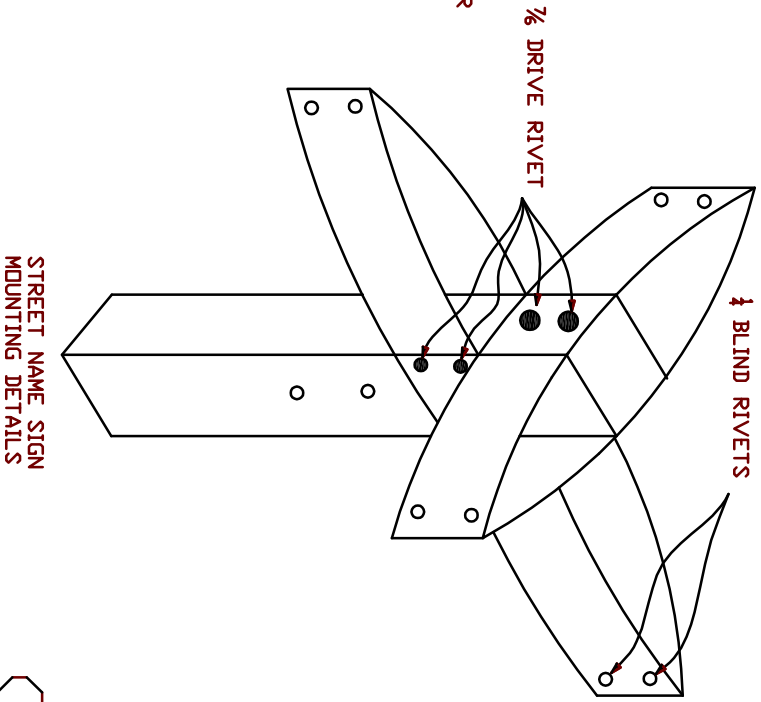
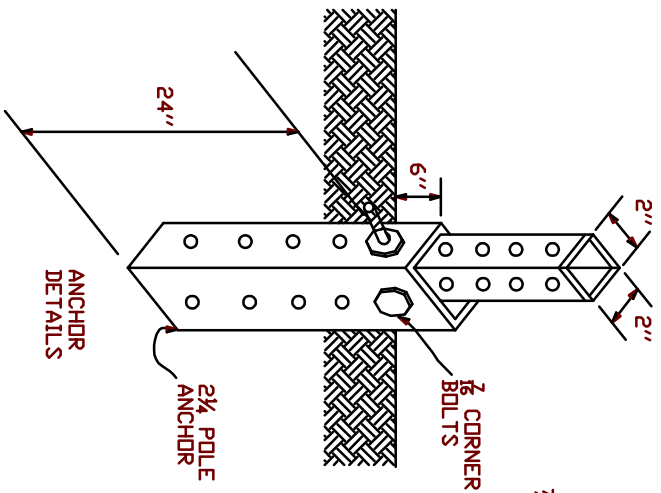


# SIGN-INSTALLATION DETAIL

- NOTES:
1. SEPARATE STREET SIGN AND STOP SIGN AT SUBDIVISION ENTRANCE ONLY. COMBINE STREET SIGN AND STOP SIGN WITHIN SUBDIVISION.
  2. ALL TEXT IS TO BE: 6" LETTER HEIGHT, 9" BLADE
  3. FOR STREET SIGNS ONLY, USE THE FHWA SERIES 'E' FONT FOUND IN THE FHWA STANDARD SIGN MANUAL
  4. FOR WARNING AND PRIVATE SIGNS, USE THE MUTCD SIGN STANDARDS



DATE	REVISIONS	DATE	REVISIONS
6-08	CJW		

DGS/DRN/CHKD: CMS  
 APPROVED: REW  
 DATE: 12-02-05

FULTON COUNTY PUBLIC WORKS  
 141 PRYOR ST. ATLANTA, GA. 30303  
 404-612-7400 FAX: 404-730-6325

DRAWING NO. 322C

FULTON COUNTY STANDARD DETAIL 322C  
 SIGNS, STREET NAMES, DETAILS & LOCATION