

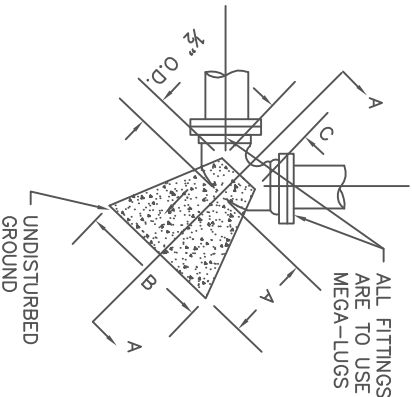
**GENERAL NOTES:**

1. THRUST BLOCK DIMENSIONS ARE BASED ON 2000 LB. PER SQ. FT. SOIL BEARING PRESSURE AND 250 LBS. PER SQ. IN. TEST PRESSURE ACTUAL INSIDE DIAMETER OF DUCTILE IRON PIPE CLASS 52 USED AS STANDARD
2. SOIL CONDITIONS SHALL BE VERIFIED BY ENGINEER BEFORE THRUST BLOCK IS CONSTRUCTED WHERE SOIL BEARING PRESSURE IS LESS THAN 2000 LB./FT. THRUST BLOCK BEARING AREA SHALL BE INCREASED APPROPRIATELY
3. ALL CONCRETE SHALL BE CLASS A, 4000 PSI

\* SEE DWG. NO. 132B FOR THRUST BLOCK CONCRETE SPECIFICATIONS

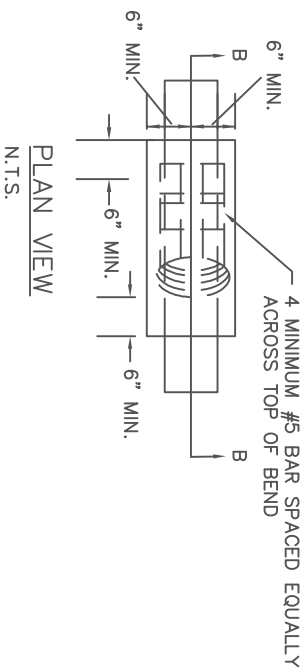
**HORIZONTAL THRUST DETAIL**

N.T.S. ①



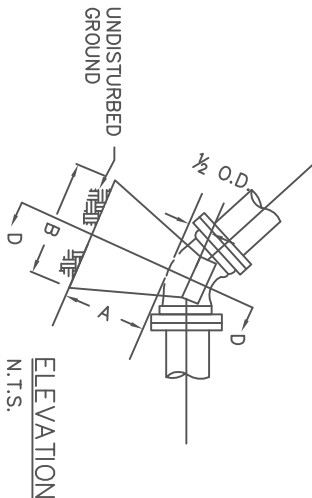
**UPWARD THRUST DETAIL**

N.T.S. ②



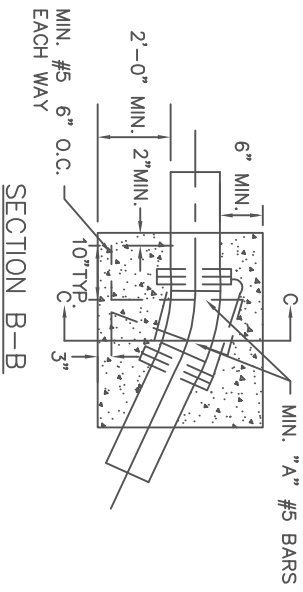
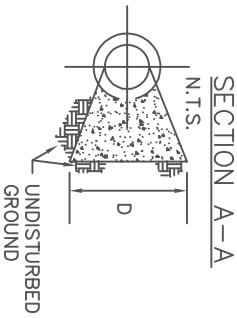
**DOWNWARD THRUST DETAIL**

N.T.S. ③

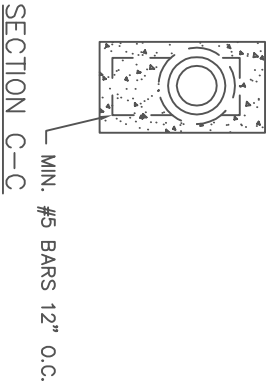


**PLAN VIEW**

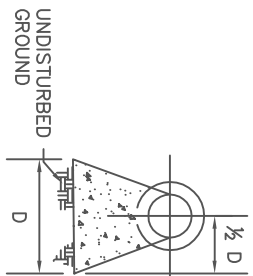
N.T.S.



N.T.S.



N.T.S.



N.T.S.

FULTON COUNTY STANDARD DETAIL 132A  
STANDARD THRUST BLOCKS FOR WATER

DATE	REVISIONS	DATE	REVISIONS
B/OB	N/R		

DGS/DRN/CHKD: REB  
APPROVED: REW  
DATE: 12-2-05



FULTON COUNTY PUBLIC WORKS  
141 PRYOR ST. ATLANTA, GA. 30303  
404-612-7400 FAX: 404-224-0498

DRAWING NO. 132A