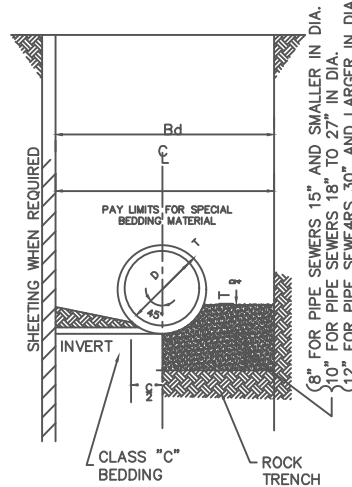
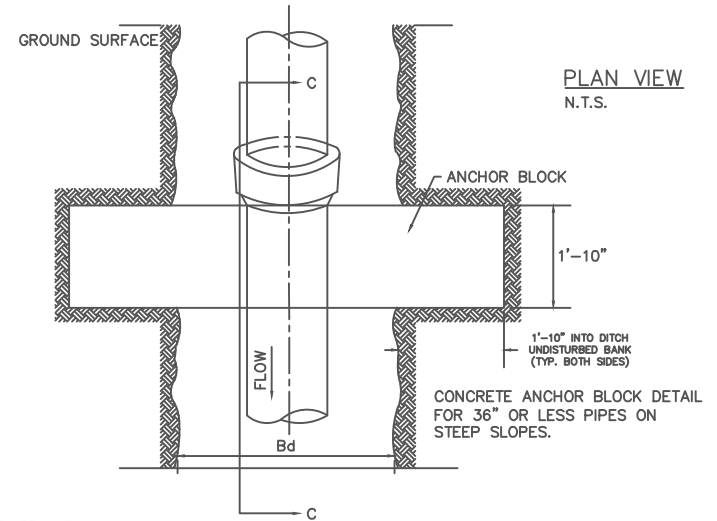


TYPICAL TRENCH DETAILS
N.T.S.

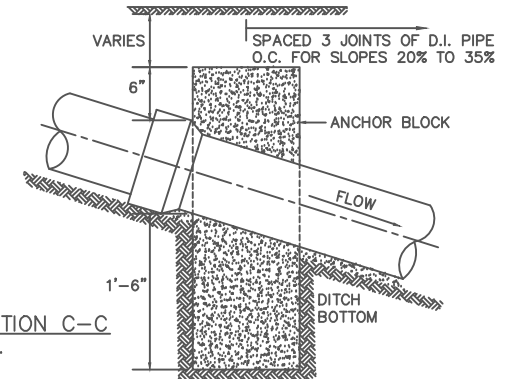


NOTE: ALL O.S.H.A. REGULATIONS MUST BE COMPLIED WITH.



A.S.T.M. A746					A.S.T.M. C76-				A.S.T.M. C14-				A.S.T.M.-D2321 DR 17			
DUCTILE IRON PIPE					REINF. CONC. PIPE				EX. STR. CONC. SEWER PIPE				HDPE PIPE			
D. IN	T. IN	Bd FT	C FT	*CRADLE	T. IN	Bd FT	C FT	*CRADLE	T. IN	Bd FT	C FT	*CRADLE	T. IN	Bd FT	C FT	*CRADLE
6	0.38	2.33	0.41	0.034					7 / 8	2.15	0.6	0.041	0.390	2.33		
8	0.42	2.67	0.53	0.036					1	2.33	0.7	0.047	0.632	2.83		
10	0.48	2.83	0.65	0.043					1-3/8	2.83	0.87	0.055	0.750	3.00		
12	0.52	3.00	0.78	0.049	2	2.83			1-5/8	3.13	1.08	0.066				
15					2-1/4	3.13	0.95	0.06	2	3.42	1.3	0.086	1.059	3.67		
18	0.73	3.67	1.15	0.072	2-1/2	3.42	1.15	0.073	2	3.71	1.5	0.105				
21					2-3/4	3.71	1.35	0.088	2-1/4	3.71	1.5	0.105				
24	0.85	4.17	1.52	0.18	3	4.00	1.55	0.109	2-5/8	4.00	1.72	0.128	1.412	4.17		
27					3-1/4	4.29	1.75	0.131								
30	0.99	4.83	1.88	0.149	3-1/2	4.58	1.95	0.153					1.765	4.83		
33					3-3/4	4.88	2.2	0.184								
36	1.19	5.33	2.27	0.198	4	5.17	2.4	0.215								
42	1.32	6.00	2.63	0.253	4-1/2	5.88	2.6	0.288								
48	1.44	6.50	3	0.314	5	6.33	3	0.36								
54					5-1/2	6.92	3.5	0.44								
60					6	7.50	3.75	0.54								
66					6-1/2	8.08	4.25	0.63								
72					7	8.67	4.65	0.74								

NOTE: PAYMENT QUANTITY IN CU. YDS./LIN./FT. OF TRENCH FOR CLASS "B" CONC. IN CASE OF CLASS "A" BEDDING & FOR CRUSHED STONE BEDDING MATERIAL IN CASE OF CLASS "B" BEDDING. ADJUST QUANTITY OF CRADLE MATERIAL BASED ON Bd WIDTH IF DEPTH OF CRADLE EXCEEDS D/4.



SECTION C-C
N.T.S.

HDPE BEDDING DETAIL
COMPACTION-
THE BACKFILL OF ALL TRENCHES TO BE COMPACTED TO A DENSITY OF 90% STANDARD PROCTOR. BACKFILL MATERIAL SHALL BE FREE FROM ROOTS, STUMPS, OR OTHER FOREIGN DEBRIS AND SHALL BE PLACED AT OR NEAR OPTIMUM MOISTURE.

FULTON COUNTY STANDARD DETAIL 117
PIPE SEWER DATA
DUCTILE IRON, CONCRETE, AND HDPE PIPE INSTALLATION

DATE	REVISIONS	DATE	REVISIONS
8/08	NRR		
1/18	TPM		

DGS/DRN/CHKD: REB
APPROVED: REW
DATE: 12-2-05



FULTON COUNTY PUBLIC WORKS
141 PRYOR ST. ATLANTA, GA. 30303
404-612-7400 FAX: 404-224-0498

DRAWING NO.
117